

Preliminary

FUJITSU Component Thermal Printer FTP-638WSL201 series

Fujitsu battery drive, 3" mobile thermal printer

Overview

High speed, rugged mobile printer that can accommodate 2" or 3" paper width and a large diameter roll.

This exceptional printer is suited for a wide range of applications from mobile POS, warehousing, logistics and event ticketing.

Features

- **High performance and easy operation**
Max. 130mm/sec. print speed, built-in color LCD
- **Includes all modern interfaces**
USB, Bluetooth®, WLAN, NFC
- **Paper options**
Thermal receipt / Label (front/back mark, gap detection)
- **Rugged construction**
2.1 meters and IP54 rated
- **Standard accessories**
Belt strap, USB cable, AC adapter, battery
- **Optional accessories**
5000mAh extended capacity battery, shoulder strap, car charger, battery charging cradle
- RoHS compliant



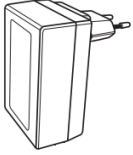
FTP-638WSL201

■ Specifications

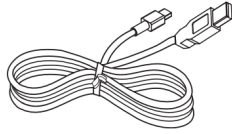
Item		Specifications	
Part number		FTP-638WSL201	
Interface		WLAN, Bluetooth 4.2, USB (V2.0), NFC (ISO/IEC14443 Type A)	
Resolution		203dpi (8dots/mm)	
Effective printing area		72mm	
Media	Type	Thermal paper	
	Width	50 to 80mm	
	Thickness	60-160µm	
	Core diameter	12.5mm	
	Roll diameter	Max. 66.5mm	
Power	Battery (Lithium Ion)	7.2VDC lithium, 2,500mAh (optional 5,000mAh)	
	AC adaptor	Input: 100VAC to 240VAC Output: 5V, 2A	
Print	Print speed	Max. 130mm/sec.	
	Emulation	ESC/POS, CPCL, ZPL II	
	Character types	Alphanumeric, International, Japanese Kanji, Korean, Chinese-GB2312, Chinese-BIG5	
	Barcode	1D	EAN13, EAN8, CODABAR, CODE11, CODE39, CODE93, CODE128, ITF, LUPC-A, UPC-E, Planet, UPC-A
		2D	QR, MAXI CODE, PDF417, MicroPDF417, Datamatrix, Aztec, TLC39 GS1 DataBar-14 Stacked, GS1 DataBar-14 Omnidirectional
Dimensions	118 x 158 x 80mm (WxDxH)		
Weight	Printer with battery	Approximately 725g	
Life	Head	Pulse	1x10 ⁸ pulses
		Wear	50km
	Battery	200m (using a new battery, and operating under Fujitsu standard conditions)	
Certifications	CE, FCC, UL/cUL, TELEC, VCCI		
Environmental conditions	Operating temperature	-20°C to +55°C	
	Operating humidity	10 to 90% RH (no condensation)	
	Storage temperature	-30°C to +65°C	
	Storage humidity	10 to 90% RH (without paper, no condensation)	

■ Standard accessories

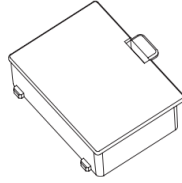
AC adapter



USB cable



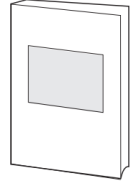
Battery



Belt strap

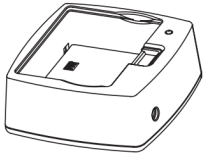


Quick guide

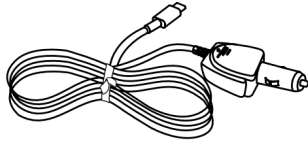


■ Optional accessories

Charging cradle



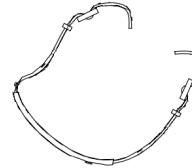
Car charger



Large battery

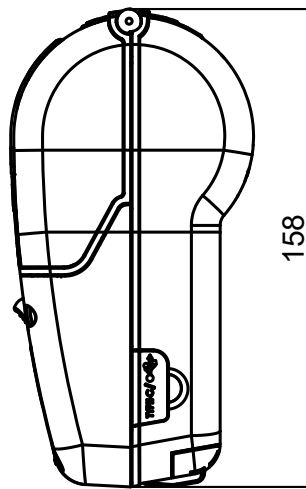
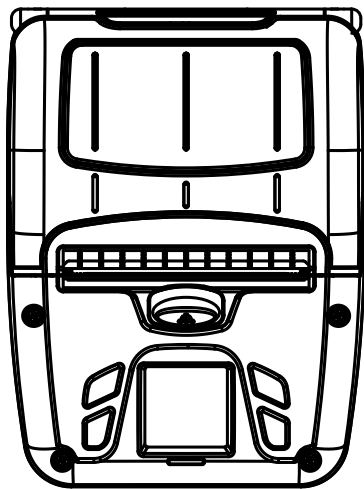
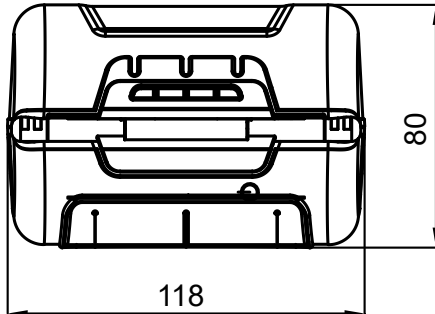


Shoulder strap



■ Dimensions

- Printer mechanism: 3-inch



Notes:

1. Dimensions are nominal value tolerance $\pm 5\text{mm}$ unless otherwise specified.
2. Dimensions in () is reference value.

■ Commands

Command	Content
HT	Horizontal tab
LF	Print and line feed
CR	Print and carriage return
FF	Print end position label to start printing
CAN	Cancel print data in page mode
DLE EOT	Real-time status transmission
DLE ENQ	Real-time request to printer
ESC FF	Print data in page mode
ESC SP	Set character right-side spacing
ESC !	Set print mode
ESC \$	Set absolute print position
ESC %	Select/cancel user-defined character set
ESC &	Define user-defined characters
ESC *	Set bit image mode
ESC -	Turn underline mode on/off
ESC 2	Set 1/6 inch line spacing
ESC 3	Set line spacing using minimum units
ESC ?	Cancel user-defined characters
ESC @	Initialize printer
ESC D	Set horizontal tab positions
ESC E	Select emphasized mode
ESC G	Select double-strike mode
ESC J	Print end feed paper using minimum units
ESC L	Select page mode
ESC M	Select character font
ESC R	Select international character set
ESC S	Select standard mode
ESC T	Select print direction in page mode
ESC V	Set/cancel 90° cw rotated character
ESC W	Set printing area in page mode
ESC \	Set relative position
ESC a	Align position
ESC d	Print and feed paper n lines
ESC t	Select character code table
ESC {	Set/cancel upside-down character printing
FS p	Print NV bit image
FS q	Define NV bit image
GS !	Select character size
GS \$	Set absolute vertical print position in page mode
GS *	Define downloaded bit image
GS /	Print down-loaded bit image
GS B	Turn white/black reverse printing mode on/off

Command	Content
GS H	Select printing position of HRI characters
GS I	Transmit printer ID
GS L	Set left margin
GS W	Set printing area width
GS \	Set relative vertical print position in page mode
GS a	Enable/disable Automatic Status Back(ASB)
GS f	Select font for HRI characters
GS h	Set bar code height
GS k	Print bar code
GS r	Transmit status
GS v 0	Print raster bit image
GS w	Set bar code width

Contact

Japan

FUJITSU COMPONENT LIMITED
 Shinagawa Seaside Park Tower
 12-4, Higashi-shinagawa 4-chome,
 Tokyo 140 0002, Japan
 Tel: (81-3) 3450-1682
 Email: fcl-contact@cs.fcl-components.com

North and South America

FUJITSU COMPONENTS AMERICA, INC.
 350 Cobalt Way, M/S 160
 Sunnyvale, CA 94085 U.S.A.
 Tel: (1-408) 745-4900
 Email: fcai.components@fcl-components.com

Europe

FUJITSU COMPONENTS EUROPE B.V.
 Diamantlaan 25
 2132 WV Hoofddorp
 Netherlands
 Tel: (31-23) 5560910
 Email: info.fceu@cs.fcl-components.com

Asia Pacific

FUJITSU COMPONENTS ASIA, Ltd.
 No. 20 Harbour Drive, #07-01B
 Singapore 117612
 Tel: (65) 6375-8560
 Email: fcal@fcl-components.com

China

FUJITSU ELECTRONIC COMPONENTS
 (SHANGHAI) CO., LTD.
 Room 4306, BM Intercontinental Business Center,
 100 Yutong Rd, Shanghai 200070, China
 Tel: (86 21) 3253 0998
 Email: fcsh@fcl-components.com

Hong Kong

FUJITSU COMPONENTS HONG KONG Co., Ltd.
 Room 13, 23/F, Seapower Tower, Concordia Plaza,
 No.1 Science Museum Road,
 Tsim Sha Tsui East, Kowloon, Hong Kong
 Tel: (852) 2881 8495
 Email: fcsh@fcl-components.com

Korea

FUJITSU COMPONENTS KOREA, LTD.
 Alpha Tower #403,
 645 Sampyeong-dong,
 Bundang-gu, Seongnam-si,
 Gyeonggi-do, 13524 Korea
 Tel: (82 31) 708-7108
 Email: fck@fcl-korea.co.kr

Copyright

All trademarks or registered trademarks are the property of their respective owners. Fujitsu Components America or its affiliates do not warrant that the content of datasheet is error free. In a continuing effort to improve our products Fujitsu Components America, Inc. or its affiliates reserve the right to change specifications/datasheets without prior notice.
 Copyright ©2022 Fujitsu Components America, Inc. All rights reserved. Revised October 17, 2022.

Web: www.fcl.fujitsu.com/en/