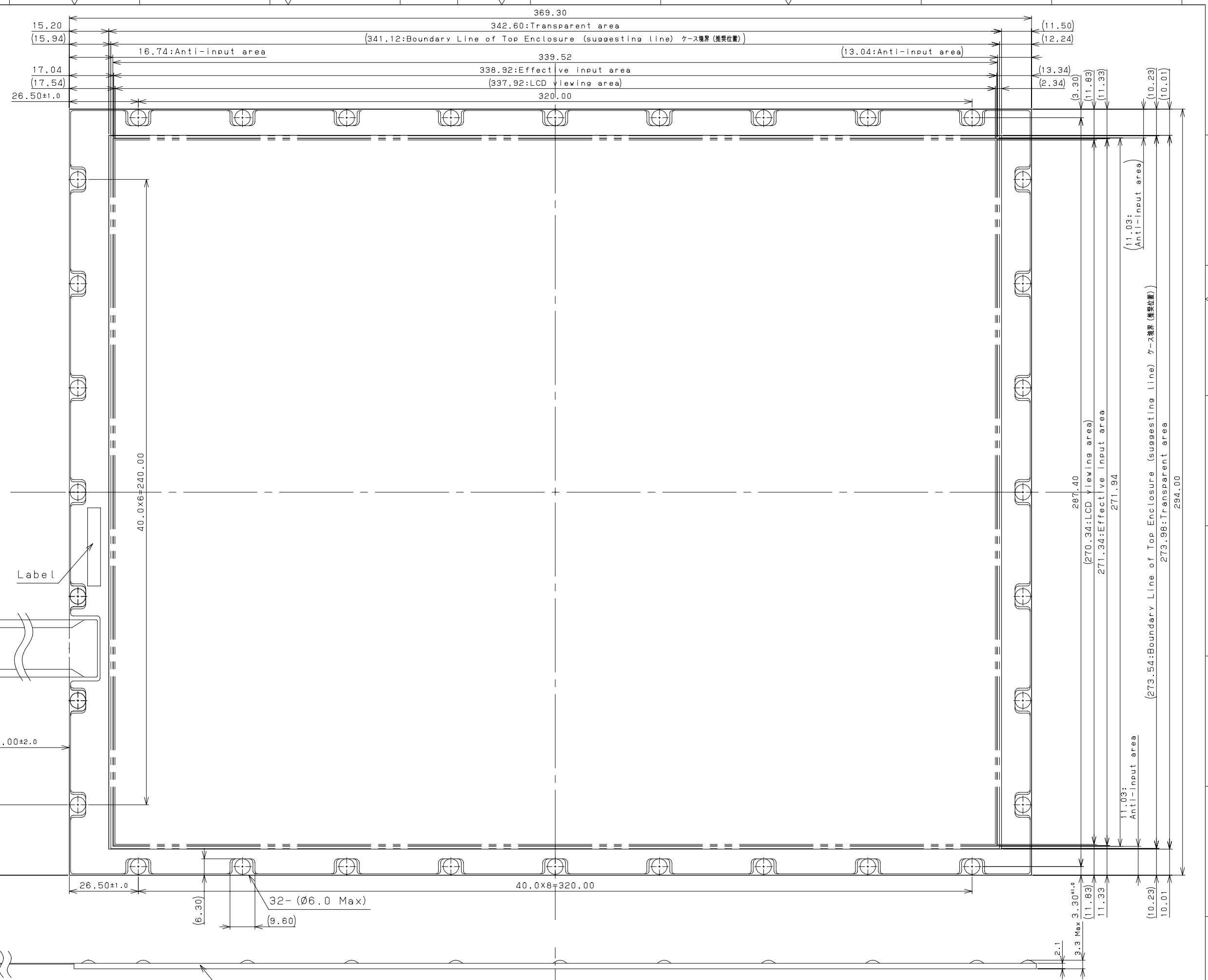
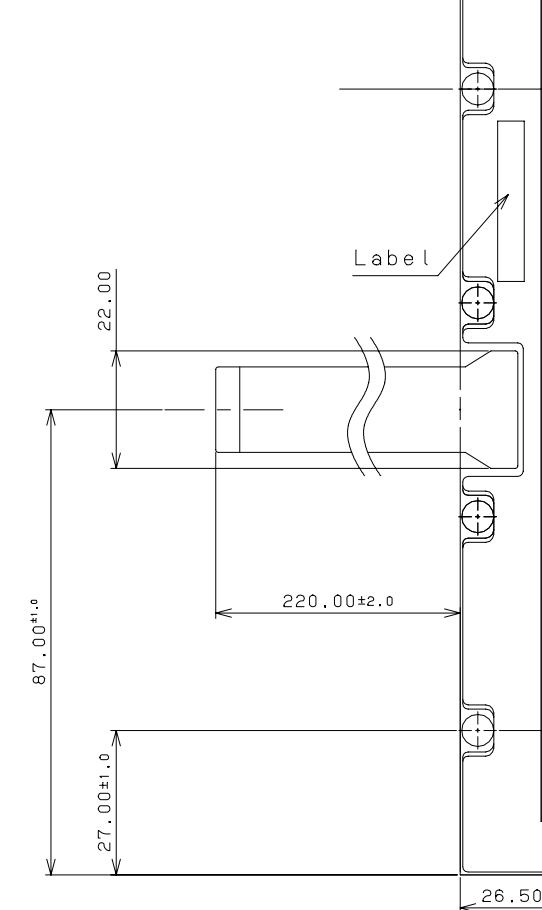
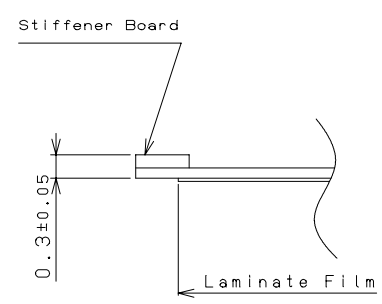
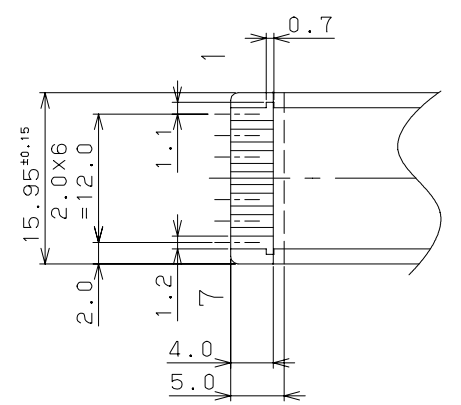


DATE DOCUMENT CONTROL SECTION



Stiffener Board (補強板)

Conductive Face (導通面)  
Gold plating (金メッキ)

Thickness of Glass t=1.8 (ガラス板厚)

Note  
1.No Specified Tolerance is ±0.5.  
・指定なき寸法公差は±0.5とする。

TITLE					N010-0510-T303	
DRAW. NO.					CUST.	
EDIT	DATE	DESIG.	CHECK	DESCRIPTION		
DESIG.			CHECK	APPR.	FCL COMPONENTS LIMITED	