

FCL Components Thermal Printer

24V DRIVE, FTP-609 SERIES

ULTRA HIGH SPEED (200mm/s)

3" TYPE MECHANISM (Cutter option)

FTP-639MCL354#70-R/374#70-R

FTP-639MCL054-R/373#70-R *Not for New Design*

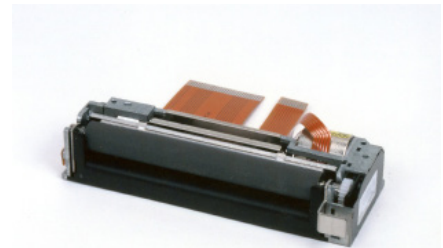
■ OVERVIEW

The FTP-609MCL Series thermal printer (driven by 24VDC) provides ultra-high speed printing (200mm/s) for 2-inch and 3-inch wide paper.

This series is suitable for a variety of applications, such as POS/ ECR, kiosk terminals, ticket machines, label printers, banking machines, measuring devices, medical equipment, etc.

■ HIGHLIGHTS

- **Ultra high speed printing**
It can print at 200 mm/s (1600 dotlines/s) maximum by using FCL Components' unique head drive control.
- **Rear paper insertion with lock type**
FCL Components' unique platen release mechanism allows straight paper path and easy head maintenance.
- **Auto Cutter**
Printer with auto cutter (full cut/ partial cut) is available. It can be mounted on top of the mechanism.
- **Multi-featuring diecast frame**
By application of multi-featuring diecast frame, continuous print by function of heat-sink, high ESD with stand by function of earth frame and shock/vibration resistance by function of solid frame are valid.
- **Compact size**
Depth: 40.5mm, width: 104.2mm, height: 20.5mm
- **High resolution**
8 dots/mm head provides clear print out.
- **RoHS compliant**



FTP-639MCL054-R



FTP-639MCL354#70-R

FTP-639MCL054-R/354#70-R/373#70-R/374#70-R

■ PART NUMBERS

Name		Part Number	
Printer mechanism	bottom insertion	FTP-639MCL054-R	-
Mechanism with cutter	Front insertion	Under development	FTP-639MCL373#70-R (with adapter board)
	bottom insertion	FTP-639MCL354#70-R	FTP-639MCL374#70-R (with adapter board)
LSI		FTP-629CU311-R	-
Interface board	Serial (RS232C)	FTP-629DSL311-R	
	USB		
Thermal head cable extension		-	FTP-629Y001-R
Interface cable	Serial	FTP-628Y302-R	-
	USB	FTP-629Y301#01-R	-
Power supply cable	Head, motor	FTP-629Y603-R	-

*: Interface is selectable by DIP switch

■ GENERAL SPECIFICATIONS

Item		Specifications	
Part number		FTP-639MCL054-R	FTP-639MCL354#70-R/ 373#70-R/374#70-R
Printing method		Thermal sensitive line dot method	
Dot structure		576 dots/line	
Dot pitch (horizontal)		0.125mm (8dots/mm) - Dot density	
Dot pitch (vertical)		0.125mm (8dots/mm) - Line feed pitch	
Effective printing area		72 mm	
Number of columns		ANK 48 columns/line (12 x 24 dot font), OCR 24 columns (24x40)	
Paper width		82.5 mm +/-1	
Paper thickness		60 to 100µm	
Cutting type		---	full or partial
Printing speed		200mm/sec. (1600 dot lines/sec.)	
Character types	Alphanumeric, Kana: International and special OCR I OCR III OCR IV Extended numeric JIS Kanji level 1, level 2, non-Kanji	159 types 195 types 103 types 23 types 103 types 11 types about 6,800 types	
Character, dimensions (WxH), number of columns		(8x16 dots), 72 columns: ANK (12x24 dots), 48 columns: ANK (16x16 dots), 36 columns: ANK (24x24 dots), 24 columns: ANK	(24 x 40 dots), 24 columns, OCR I (24 x 48 dots), 24 columns, OCR II (36 x 60 dots), 16 columns, OCR IV (24 x 48 dots) 24 columns, extended numeric
Interface standard		RS-232C, USB	

FTP-639MCL054-R/354#70-R/373#70-R/374#70-R

Item		Specifications	
Part number		FTP-639MCL054	FTP-639MCL354#70-R/373#70-R/374#70-R
Power supply For cutter motor	For head	24 VDC \pm 5% 4.0A (concurrent applied dot 288 dots)	
	For printer motor	24VDC \pm 5% 1A maximum	24VDC \pm 5% 1.2A maximum
	For cutter motor	---	24VDC \pm 5% 1.2A maximum
	For logic	5VDC \pm 5% 0.1 A maximum	
Dimensions W x D x H	Printer Mechanism	104.4 x 40.5 x 20.5mm	---
	Printer Mech with cutter	---	110.4 x 62.5 x 39.4mm
	Interface board	77 x 50 x 21.5mm	
Weight	Printer Mechanism	Approximately 125g	---
	Printer Mech with cutter	---	Approximately 320g
	Interface board (standard)	Approximately 30g	
Life	Head	Pulse durability: 100 million pulse/dot (using FCL Components' standard driving method) Wear resistance: 100 km (at 12.5% print ratio)	
Cutter	---		1,000,000 cuts
Environmental conditions	Operating temperature	+5°C to +40°C (Guarantee)	+5°C to +40°C (Guarantee)
	Operating humidity	20 to 80% RH (no condensation)	
	Storage temperature	-40°C to +70°C (excluding paper)	-20°C to +60°C
	Storage humidity	5 to 90% RH (no condensation)	
Detection	Head temperature	By thermistor	
	Paper out/Mark detect	By photointerrupter	
	Head release	By slide switch	
	Cutter position	By microswitch (inside cutter)	
Recommended thermal sensitive paper	High sensitivity paper	TF50KS-E4 (Nippon paper)	
	Standard paper	TF60KS-E (Nippon paper), FTP-030P0104 (80mm), PD150R (Oji paper), FTP-030P0701 (80mm)	
	Medium term paper PD170R (Oji paper)	TP60KS-F1 (Nippon paper), FTP-030P0102(80mm), P220VBB-1 (Mitsubishi paper) PD160R-N (Oji paper)	
	Long term paper	AFP-235 (Mitsubishi paper) TP50KJ-R (Nippon paper) HA220AA (Nippon paper)	
	Label paper	HW54T (Nippon paper)	

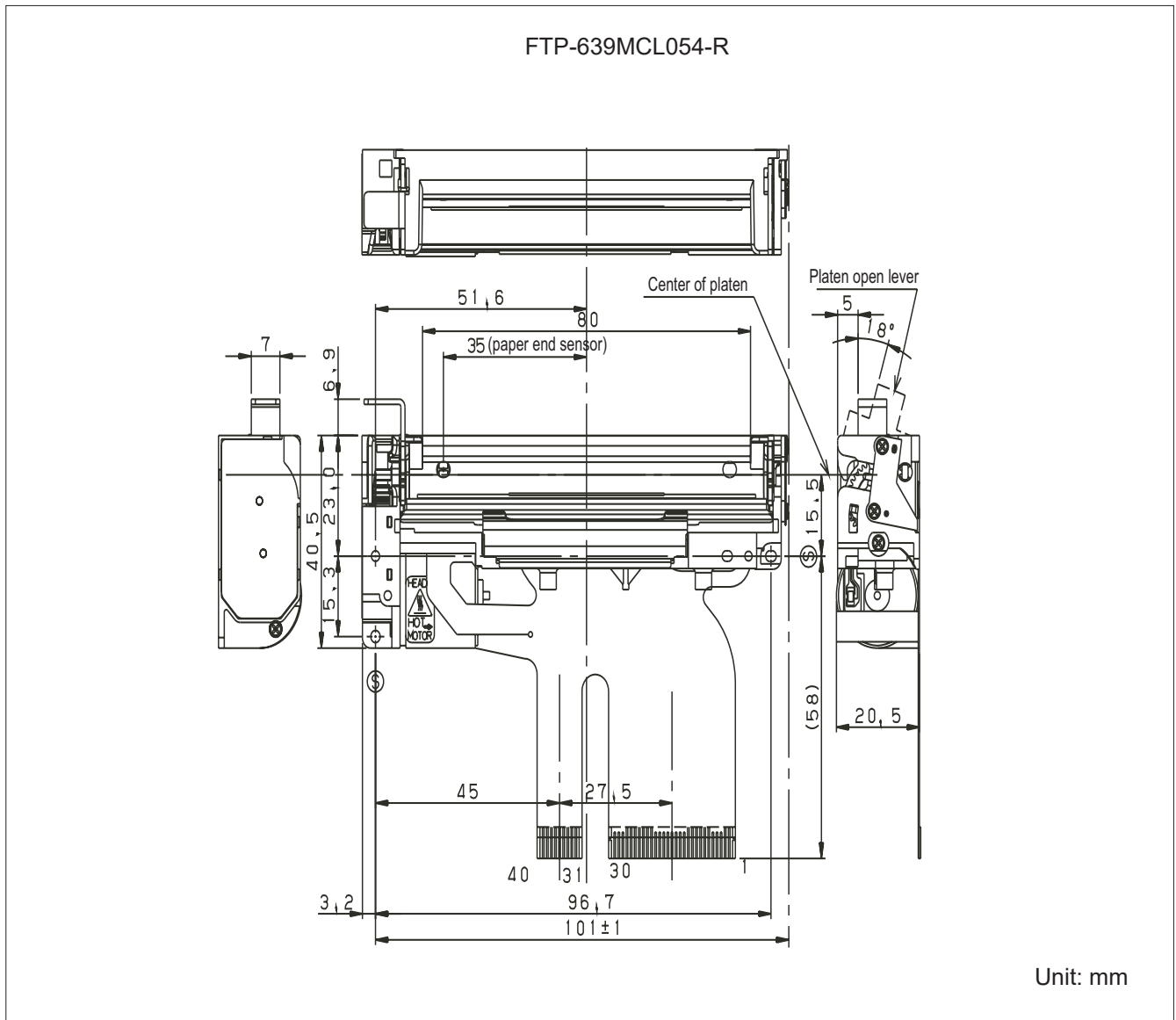
FTP-639MCL054-R/354#70-R/373#70-R/374#70-R

FUNCTION

ITEM		ITEM	
1.	Test printing	8.	Cutter trouble detection
2.	Paper-out detection	9.	Motor power save
3.	Paper near end detection	10.	Mark detection
4.	Head-up detection	11.	MCU trouble detection
5.	Abnormal temp. of thermal head detection	12.	Power on/off sequence protection
6.	Blown fuse detection	13.	Motor protection
7.	Abnormal voltage detection of head	14.	Hardware timer

DIMENSIONS

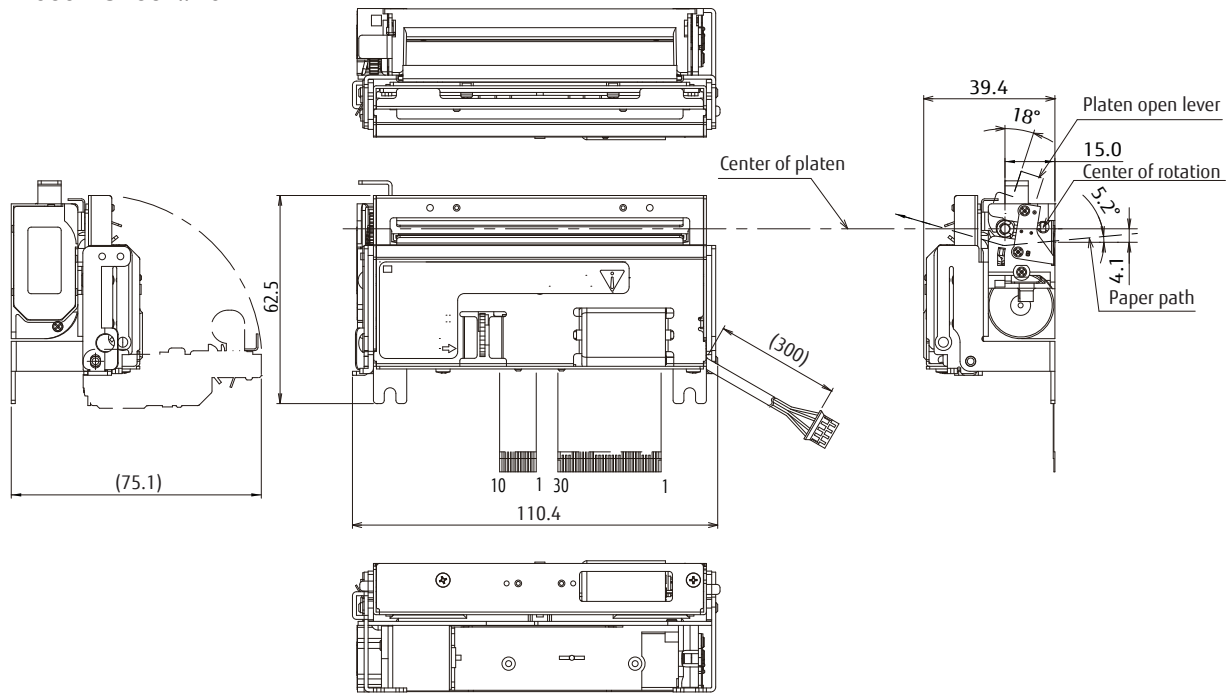
1. Printer mechanism



FTP-639MCL054-R/354#70-R/373#70-R/374#70-R

Printer with cutter

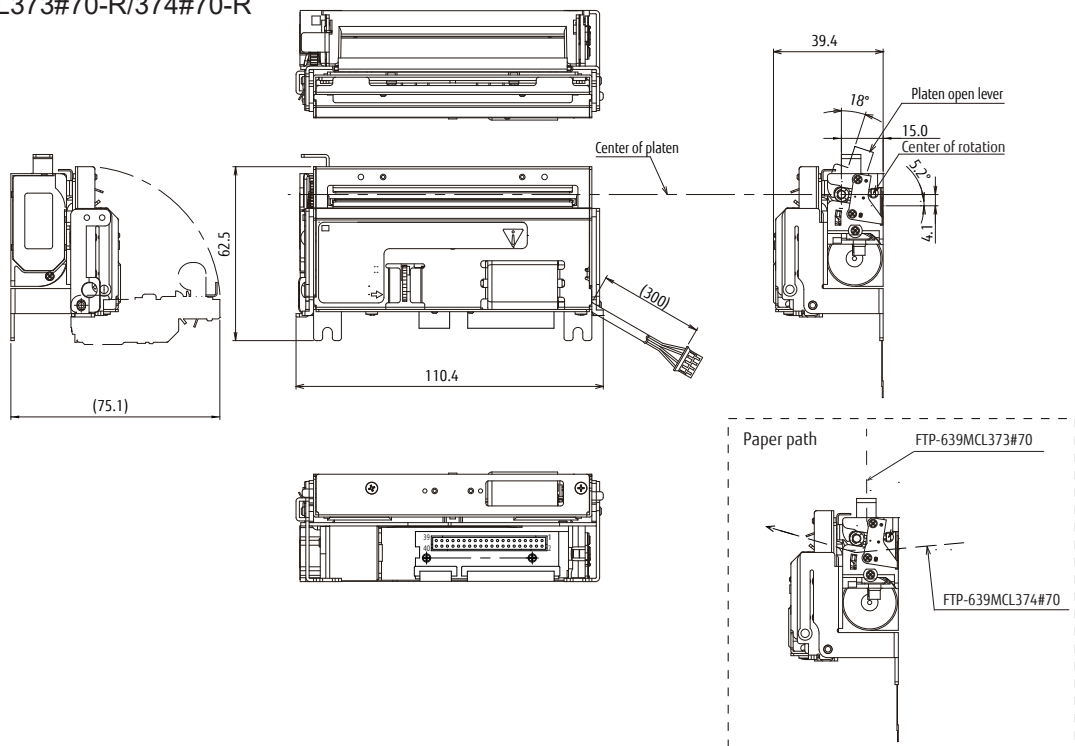
FTP-639MCL354#70-R



- Notes: 1. Nominal value (Tolerance +0.5, -0.5)
2. S is the base line of installing (Tolerance +0.5, -0.5)

Unit: mm

FTP-639MCL373#70-R/374#70-R



- Notes: 1. Nominal value (Tolerance +0.5, -0.5)
2. S is the base line of installing (Tolerance +0.5, -0.5)

Unit: mm

FTP-639MCL054-R/354#70-R/373#70-R/374#70-R

■ CONNECTOR PIN ASSIGNMENT OF PRINTER MECHANISM (FPC)

1. Thermal head, motor, sensor

* FPC type (FTP-639MCL054-R/354#70-R)

No 1 to 30: 52610-3071 (Molex), No 31 to 40: 52610-1071 (Molex)

* Cable extension type (FTP-639MCL373#70-R/374#70-R) LY20-DC40 (JAE)

No	Signal	I/O	Contents	No	Signal	I/O	Contents
1	SW	O	Platen open switch	2	SW	-	Platen open switch
3	VH	-	Power for thermal head	4	VH	-	Power for thermal head
5	VH	-	Power for thermal head	6	VH	-	Power for thermal head
7	DI	I	Data in	8	$\overline{\text{STB3}}$	I	Print enable 3
9	$\overline{\text{STB4}}$	I	Print enable 4	10	VDD	-	Power for logic
11	TM	-	Head thermistor	12	GND	-	Head GND
13	GND	-	Head GND	14	GND	-	Head GND
15	GND	-	Head GND	16	GND	-	Head GND
17	GND	-	Head GND	19	GND	-	Head GND
19	GND	-	Head GND	20	GND	-	Head GND
121	TH	-	Thermistor	22	$\overline{\text{STB1}}$	I	Print enable 1
23	$\overline{\text{STB2}}$	I	Print enable 2	24	$\overline{\text{LAT}}$	I	Print data latch
25	CLK	I	Clock	26	DO	O	Data out
27	VH	-	Power for thermal head	28	VH	-	Power for thermal head
29	VH	-	Power for thermal head	30	VH	-	Power for thermal head
31	NC	-	Not connected	32	TM	O	Motor temperature sensor
33	TM	-	Motor temperature sensor	34	$\overline{\text{MT A}}$	I/O	Motor coil excitation /A
35	MT A	I	Motor coil excitation A	36	$\overline{\text{MT B}}$	I/O	Motor coil excitation /B
37	MT B	I	Motor coil excitation B	38	PHK	-	Paper out sensor cathode
39	VSEN	I	Power for paper sensor	40	$\overline{\text{PHE}}$	O	Paper out sensor emittor

2. Cutter

With cutter type (FTP-639MCL354#70-R/373#70-R/374#70-R)

Connector type: B4B-PH-SM4-TB (J.S.T.) or equivalent

No.	Signal	I/O	Contents	No.	Signal	I/O	Contents
1	SW1	-	Cutter home position switch	2	SW2	O	Cutter home position switch
3	M+	O	Cutter motor drive	4	M-	I	Cutter motor drive

■ INTERFACE COMMAND OPTIONS

Please refer to the FTP-629DSL301 series datasheet.

FTP-639MCL054-R/354#70-R/373#70-R/374#70-R

Contact

Japan

FCL COMPONENTS LIMITED
Shinagawa Seaside Park Tower
12-4, Higashi-shinagawa 4-chome,
Tokyo 140 0002, Japan
Tel: +81 3 3450 1682
Email: fcl-contact@cs.fcl-components.com

North and South America

FCL COMPONENTS AMERICA, INC.
2055 Gateway Place, Suite 480
San Jose, CA 95110 U.S.A.
Tel: +1 408 745 4900
Email: contact@fcl-components.us

Web: www.fcl-components.com/en/

Europe

FCL COMPONENTS EUROPE B.V.
Diamantlaan 25
2132 WV Hoofddorp
Netherlands
Tel: +31 23 5560910
Email: info@fcl-components.eu

Asia Pacific

FCL COMPONENTS ASIA, LTD.
51 Changi Business Park Central, #06-07
Singapore 486066
Tel: +65 6375 8560
Email: fcal@fcl-components.com

China

FCL COMPONENTS (SHANGHAI) CO., LTD.
Unit 1105, Central Park –Jing An, No.329 Heng Feng
Road, Shanghai 200070, China
Tel: +86 021 3253 0998
Email: fcsh@fcl-components.com

Hong Kong

FCL COMPONENTS HONG KONG Co., LIMITED
Room 13, 23/F, Seapower Tower, Concordia Plaza,
No.1 Science Museum Road,
Tsim Sha Tsui East, Kowloon, Hong Kong
Tel: +852 2881 8495
Email: fcsh@fcl-components.com

Copyright

All trademarks or registered trademarks are the property of their respective owners. FCL Components America or its affiliates do not warrant that the content of datasheet is error free. In a continuing effort to improve our products FCL Components America, Inc. or its affiliates reserve the right to change specifications/datasheets without prior notice.

Copyright ©2026 FCL Components America, Inc. All rights reserved. Revised March 5, 2026.
