

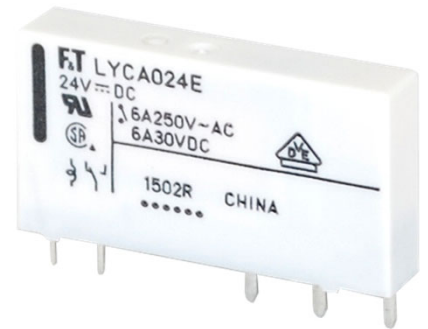
POWER RELAY

1 POLE – 6A Slim Type (Medium Load Control)

FTR-LY Series

■ FEATURES

- Slim 15.0mm (h) x 5.0 mm (w) x 28.0mm (l) (straight type)
5.0mm (h) x 15.0mm(w) x 28.0mm (l) (right angle type)
- 1 form C and 1 form A
- Straight and right angle type available
- Mounting space: 140mm² (straight type), weight: 5.0g
- High insulation in small package
Insulation distance (between coil and contacts): 8mm (creepage/clearance)
Dielectric strength: 4,000 VAC
Surge strength: 6,000V
- Plastic sealed type RTIII
- UL, CSA, VDE compliance
- Socket type available
- RoHS compliant
- Conforms to UL61010-1, UL61010-2-201, IEC/EN61010-1, IEC/EN61010-2-201 (max. 277VAC)
- UL hazardous locations (ANSI/ISA12.12.01) compliant type is available



■ PARTNUMBER INFORMATION

[Example] FTR-LY A A 005 Y - SK
 (a) (b) (c) (d) (e) (f)

(a)	Relay type	FTR-LY	: FTR-LY Series
(b)	Contact configuration	A C P R	: 1 form A : 1 form C : 1 form A (right angle type) : 1 form C (right angle type)
(c)	Coil type	A	: Standard (170mW)
(d)	Coil rated voltage	005	: 5....60VDC See coil rating table
(e)	Contact material	E Y V	: AgNi : AgSnO ₂ : AgSnO ₂ + Au plating
(f)	Special type	Nil SK HZ	: PCB mounting type : Socket mounting type (only contact configuration A and C) : UL hazardous locations compliant type*

Actual marking does not carry the type name : "FTR" and "SK"
 E.g.: Ordering code: FTR-LYAA005Y-SK Actual marking: LYAA005Y
 * UL hazardous locations compliant carries ▲ mark.

FTR-LY Series

■ SPECIFICATIONS

Item		LY (C,R) A () (Y,E,V)	LY (A,P) A () (Y,E,V)		
Contact data	Configuration	1 form C (SPDT)	1 form A (SPST-NO)		
	Construction	Single			
	Material	Y: AgSnO ₂ / E: AgNi / V: AgSnO ₂ + Au plating			
	Resistance (initial)	Y, E: Max. 100 mΩ at 6 VDC, 1 A V: Max. 30 mΩ at 6 VDC, 1A			
	Contact rating	6A, 250VAC / 24VDC (resistive)			
	Max. carrying current	6A			
	Max. switching voltage	250VAC			
	Max. switching power	1,500VA / 144W			
	Min. switching load *	Y, E: 100 mA 5 VDC V: 10mA 5 VDC			
Coil data	Rated power	170 to 217 mW			
	Operate power	74 to 95 mW			
	Operating temperature range	-40°C to +85°C (no frost)			
Timing data	Operate (at nominal voltage)	Max. 8ms (no diode, without bounce)			
	Release (at nominal voltage)	Max. 4ms (no diode, without bounce)			
Life	Mechanical	Min. 10 x 10 ⁶ operations			
	Electrical	Min. 50 x 10 ³ operations (N.O.) Min. 30 x 10 ³ operations (N.C.) at 6A, 250VAC / 24VDC resistive			
Insulation	Resistance (initial)	Min. 1,000MΩ at 500VDC			
	Dielectric strength	Open contacts	1,000VAC (50/60Hz) 1min.,10mA detection current		
		Contacts to coil	4,000VAC (50/60Hz) 1min.,10mA detection current		
	Surge strength	Coil to contacts	6,000V / 1.2 x 50μs standard wave		
	Clearance / creepage		Min. 8mm / Min. 8mm		
	EN61810-1, VDE0435	Voltage	250V		
		Pollution degree	3		
		Material group	IIIa		
Category		C / 250V			
Others	Vibration resistance	Misoperation	10 to 55 to 10Hz single amplitude 0.5mm		
		Endurance	10 to 55 to 10hz single amplitude 0.75mm		
	Shock	Misoperation	Min. 50m/s ² (11 ± 1ms)	Min. 100m/s ² (11 ± 1ms)	
		Endurance	Min. 1,000m/s ² (6 ± 1ms)		
	Weight	Approximately 5g			
	Sealing	Plastic sealed RTIII			

*1 : Minimum switching loads mentioned above are reference values. Please perform the confirmation test with actual load before production since reference values may vary according to switching frequencies, environmental conditions and expected reliability levels.

FTR-LY Series

■ COIL DATA

Coil Code	Rated Coil Voltage (VDC)	Coil Resistance $\pm 10\%$ (Ω)	Must Operate Voltage * (VDC)	Must Release Voltage * (VDC)	Rated Power (mW)
005	5	147	3.3	0.25	170
006	6	211	4	0.3	
009	9	476	5.9	0.45	
012	12	847	7.9	0.6	
018	18	1,910	11.9	0.9	
024	24	3,390	15.9	1.2	
048	48	10,600	31.7	2.4	217
060	60	20,570	39.6	3	175

* : Specified operate values are valid for pulse wave voltage

Note 1: All values given in the coil table(s) are valid at 20° C ambient temperature, at zero contact current, without pre-energizing and are specified at pulse wave voltage.

Note 2: When applying a higher than rated coil voltage, please refer to the "coil temperature rise" and "operating range" reference graphs, for the effects on the relay operating behavior.

■ SAFETY STANDARDS

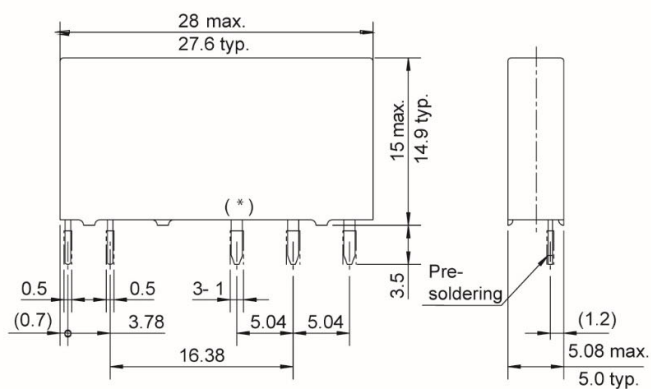
Type	Compliance	Contact rating
UL	UL 508, E63614	Flammability: UL 94-V0 (plastics)
	ANSI/ISA 12.12.01, E225300 (Applicable for -HZ)	6A, 277 VAC (resistive) 6A, 30 VDC (resistive) 1/10 hp, 277VAC/125VAC
CSA	C22.2 No. 14 LR 40304	1/8hp, 277VAC/125VAC Pilot duty: D300, C300, R300, B300
VDE	IEC/EN61810-1	6A 250VAC ($\cos\phi=1$), 6A 30VDC (0ms) 3 (1.5) A, 250VAC
	EN 60730-1 Clause 12.2, 13.2, 20.1, 20.2, 20.3, 17.5, 17.7, 17.8	
	EN 60335-1 Clause 15.3, 16.3, 29.1, 29.2, 29.3	

Also conform to UL61010-1, UL61010-2-201, IEC/EN61010-1, IEC/EN61010-2-201 (277VAC)

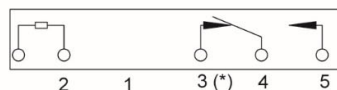
FTR-LY Series

■ DIMENSIONS

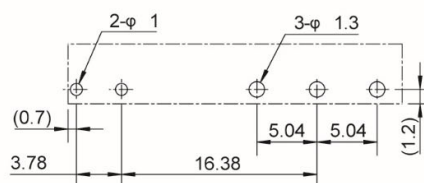
Straight type



Schematics (BOTTOM VIEW)

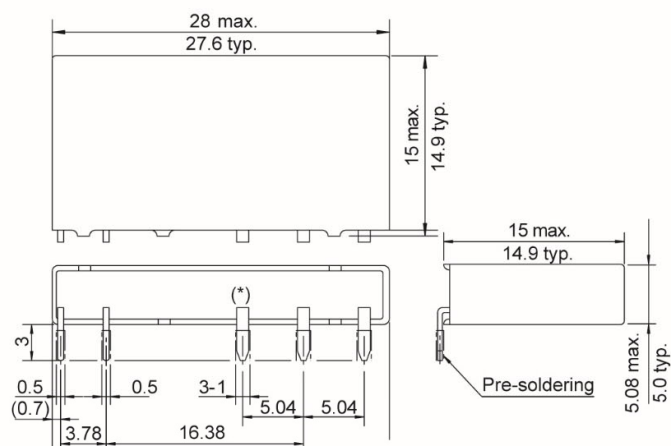


PCB Layout (BOTTOM VIEW)

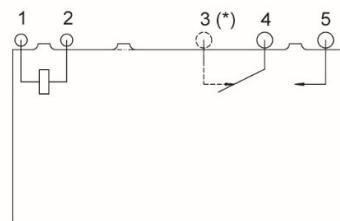


Tolerance: +/-0.1

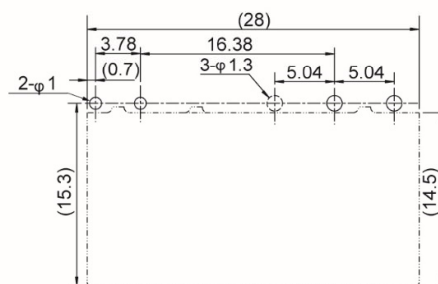
Right angle type



Schematics (BOTTOM VIEW)



PCB Layout (BOTTOM VIEW)



Tolerance: +/-0.1

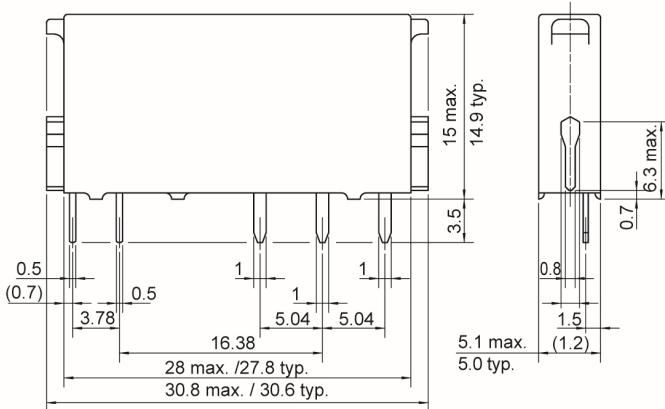
The terminal marked (*) is not applicable for 1 form A type.
 Dimensions of the terminals do not include thickness of pre-solder.

() : Reference value
 Unit: mm

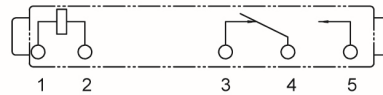
FTR-LY Series

■ DIMENSIONS

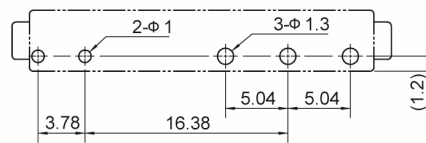
Socket type



Schematics
(BOTTOM VIEW)

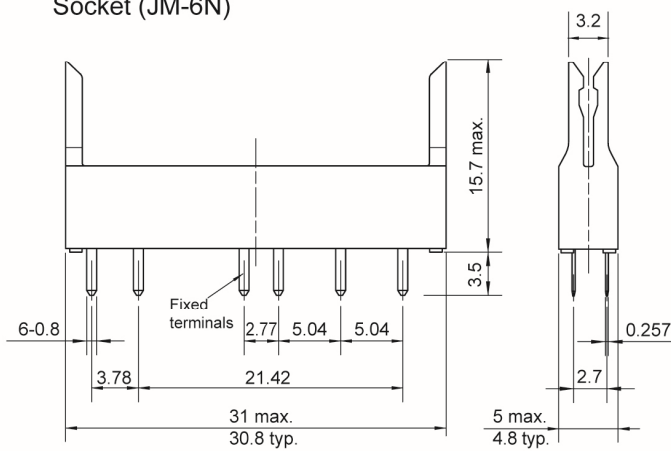


PCB layout
(BOTTOM VIEW)

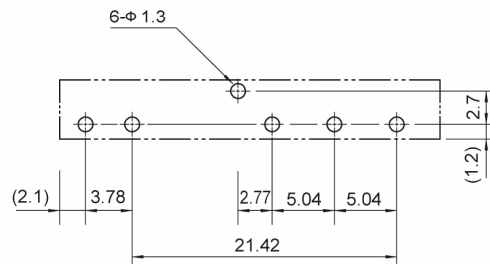


Tolerance: +/-0.1

Socket (JM-6N)



PCB layout
(BOTTOM VIEW)



Tolerance: +/-0.1

Dimensions of the terminals of JM-6N do not include thickness of pre-solder.

(): Reference value
Unit: mm

Note: Tolerance of PC board mounting hole layout : ± 0.1 unless otherwise specified.

Note: Dimensions of the terminals do not include thickness of pre-solder.

Note: This datasheet provide only + tolerance for outer dimensions.

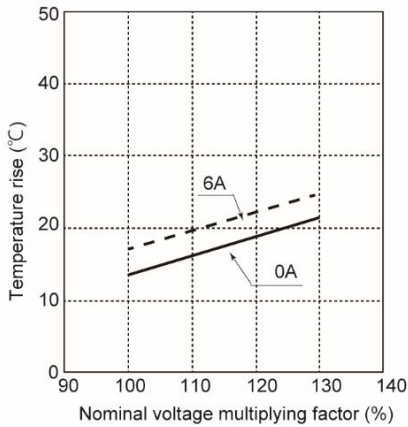
Please ask for specification in case you need other tolerances.

FTR-LY Series

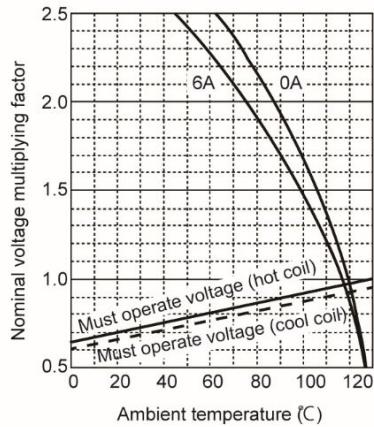
CHARACTERISTIC DATA

(Characteristic data is not guaranteed value but measured values of samples from production line.)

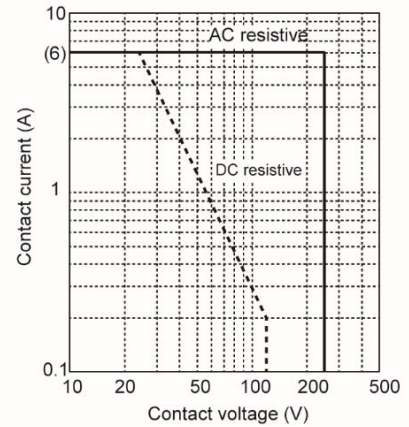
Coil Temperature rise



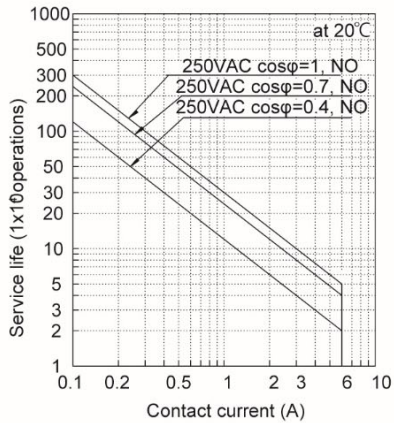
Operating range



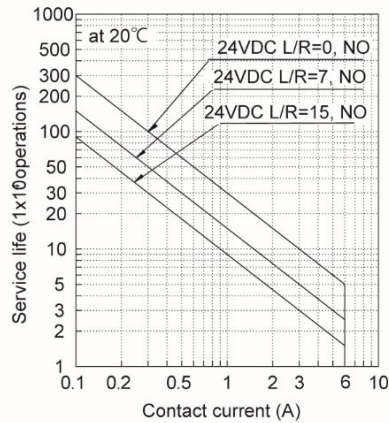
Maximum switching power



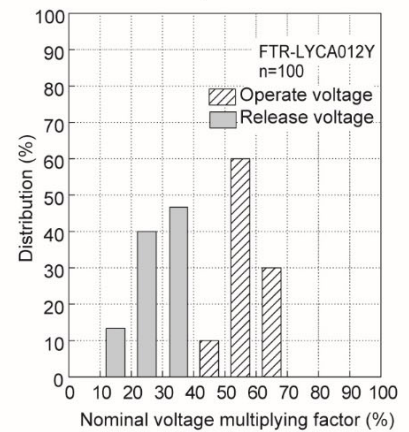
Life curve



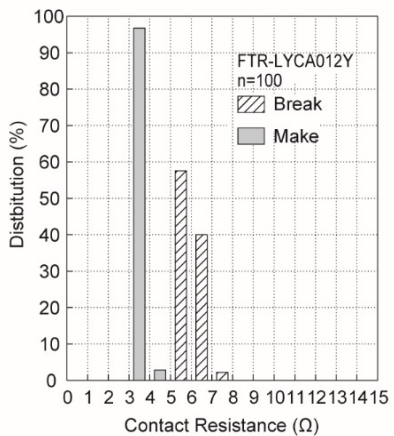
Life curve



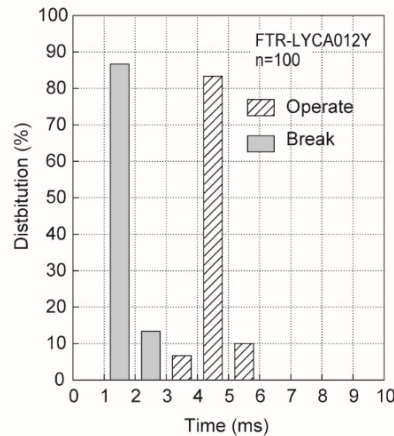
Distribution of operate/release voltage



Distribution of contact resistance



Distribution of operate/release time



FTR-LY Series

CAUTIONS

- All values mentioned in this datasheet are provided under ideal conditions. Please perform the confirmation test before actual use.
- Reflow soldering is prohibited.
- Do not use relays in the atmosphere with sulfide gas, chloride gas or nitric oxide. Contact resistance may increase.
- Do not use silicon or silicon-containing product or materials near relays. It may cause contact failure.

GENERAL INFORMATION

1. RoHS Compliance

- All relays produced by FCL Components are compliant with RoHS directive 2011/65/EU, including commission delegated directive 2015/863.

2. Recommended lead free solder condition

- Lead free solder plating on relay terminals is Sn-3.0Ag-0.5Cu, unless otherwise specified. This material has been verified to be compatible with PbSn assembly process.
- Recommended solder for assembly: Sn-3.0Ag-0.5Cu.

Flow Solder Condition:

Pre-Heating: Maximum 120°C within 90 sec.

Soldering: Dip within 5 sec. at 255°C±5°C solder bath

Relay must be cooled by air immediately after soldering

Solder by Soldering Iron:

Soldering Iron: 30-60W

Temperature: Maximum 350-360°C

Duration: Maximum 3 sec.

We highly recommend that you confirm your actual solder conditions

3. Moisture Sensitivity

- Moisture Sensitivity Level standard is not applicable to electromechanical relays, unless otherwise indicated.

4. Tin Whiskers

- Dipped SnAgCu solder is known as presenting a low risk to tin whisker development. No considerable length whisker was found by our in house test.

Contact

Japan

FCL COMPONENTS LIMITED
Shinagawa Seaside Park Tower
12-4, Higashi-shinagawa 4-chome,
Tokyo 140 0002, Japan
Tel: +81-3-3450-1682
Email: fcl-contact@cs.fcl-components.com

North and South America

FCL COMPONENTS AMERICA, INC.
2055 Gateway Place Suite 480,
San Jose, CA 95110 USA
Tel: +1-408-745-4900
Email: fcai.components@fcl-components.com

Europe

FCL COMPONENTS EUROPE B.V.
Diamantlaan 25
2132 WV Hoofddorp, Netherlands
Tel: +31-23-556-0910
Email: info.fceu@cs.fcl-components.com

Asia Pacific

FCL COMPONENTS ASIA PTE LTD.
No. 20 Harbour Drive, #07-01B
Singapore 117612
Tel: +65-6375-8560
Email: fcal@fcl-components.com

China

FCL COMPONENTS (SHANGHAI) CO., LTD.
Unit 1105, Central Park - Jing An,
No.329 Heng Feng Road, Shanghai 200070,
China
Tel: +86-21-3253 0998
Email: fcsh@fcl-components.com

Web: www.fcl-components.com/en/

© 2024 FCL Components Limited. All rights reserved. All trademarks or registered trademarks are the property of their respective owners.

FCL Products are intended for general use, including without limitation, in personal, household and office environments, in buildings and for ordinary use in the industry. FCL Products are not intended to be used in applications where extremely high safety is required ("High Safety Required Applications"), such as, but not limited to, applications in nuclear facilities, in aircraft automatic flight control, in air traffic control, in mass transit system control, in missile launch system, in weapon systems, in medical equipment for life support or any application involving a direct serious risk of physical injury or death.

Please do not use FCL Products without securing the sufficient safety and reliability required for the High Safety Required Applications. In addition, FCL shall not be liable against the customer and/or any third party for any claims or damages arising in connection with the use of FCL Products in the High Safety Required Applications.

FCL warrants that its Products, if properly used and services, will conform to their specification and will be free from defects in material and workmanship for twelve months from delivery.

The implied warranties of merchantability and fitness for a particular purpose and all other warranties, representations and conditions, express or implied by statute, trade usage or otherwise, except as set forth in this warranty, are excluded and shall not apply to the Products delivered.

The contents, data and information in this datasheet are provided by FCL Components Limited as a service only to its user and only for general information purposes. The use of the contents, data and information provided in this datasheet is at the users' own risk.

FCL has assembled this datasheet with care and will endeavor to keep the contents, data and information correct, accurate, comprehensive, complete and up to date.

FCL Components Limited and affiliated companies do however not accept any responsibility or liability on their behalf, nor on behalf of its employees, for any loss or damage, direct, indirect or consequential, with respect to this datasheet, its contents, data, and information and related graphics and the correctness, reliability, accuracy, comprehensiveness, usefulness, availability and completeness thereof.

Nor do FCL Components Limited and affiliated companies accept on their behalf, nor on behalf of its employees, any responsibility or liability with respect to these datasheets, its contents, data, information and related graphics and the correctness, reliability, accuracy, comprehensiveness, usefulness, availability and completeness thereof. Rev. February 1, 2024.
