

POWER RELAY

1 POLE – 25A 1.5mm Contact Gap

FTR-K3-WG Series

■ FEATURES

- 1 pole, 25A
- 1 Form A
- Contact gap 1.5mm
(Compliance with European photovoltaic standard VDE0126)
- High insulation in small package (between coil and contact)
 - Insulation distance: Clearance > 6.4mm, Creepage > 9.5mm
 - Dielectric strength: 5,000VAC
 - Surge strength: 8,500V
- Coil holding voltage can be reduced up to 35% of nominal coil voltage (ambient temperature; +20°C, contact current; 25A)
Power consumption at the lowest coil holding voltage; 96mW
* Coil holding voltage is the coil voltage after 100ms of applied nominal coil voltage
- Flammability UL94V-0 (plastics)
- Cadmium-free contacts
- Flux free, cat. RTII protection
- RoHS compliant



■ PARTNUMBER INFORMATION

[Example] $\frac{\text{FTR-K3}}{\text{(a)}}$ $\frac{\text{A}}{\text{(b)}}$ $\frac{\text{B}}{\text{(c)}}$ $\frac{\text{012}}{\text{(d)}}$ $\frac{\text{W}}{\text{(e)}}$ $\frac{\text{- WG}}{\text{(f)}}$

(a)	Relay type	FTR-K3	: FTR-K3 Series
(b)	Contact configuration	A	: 1 form A / PCB type
(c)	Coil power	B	: Standard (780mW)
(d)	Coil rated voltage	012	: 5...48VDC See coil rating table
(e)	Contact material	W	: Silver alloy
(f)	Option code	PS	: Contact gap 1.5mm

Actual marking does not carry the type name : "FTR"

E.g.: Ordering code: FTR-K3AB012W-WG Actual marking: K3AB012W-WG

FTR-K3-WG Series

■ SPECIFICATIONS

Item		FTR-K3-WG	
Contact data	Configuration	1 form A	
	Material	Silver alloy	
	Resistance (initial)	Max. 100 mΩ at 6VDC, 1A	
	Contact rating	25A, 250VAC (resistive)	
	Max. carrying current	25A	
	Max. switching voltage	250VAC	
	Max. switching power	6,250VA	
	Max. switching current	25A	
	Min. switching load *1	100mA, 5VDC (reference value)	
Coil data	Rated power (at 20°C)	Approximately 780mW	
	Operate power (at 20°C)	Approximately 383mW	
	Coil power at holding voltage	96mW (35% of nominal coil voltage)	
	Holding voltage *2	35~120% of nominal coil voltage (25A at + 20°C) 45~80% of nominal coil voltage (25A at + 85°C)	
	Operating temperature range	-40°C to +60°C (coil nominal voltage) -40°C to +85°C (holding voltage; 45~80% of nominal coil voltage)	
Timing data	Operate (at nominal voltage)	Max. 20ms (without bounce)	
	Release (at nominal voltage)	Max. 10ms (no diode, without bounce)	
Life	Mechanical	Min. 2 x 10 ⁶ operations	
	Electrical (resistive)	25A / 250VAC, min. 100 x 10 ³ operations	
	Electrical (inductive)	Endurance: 25A, 250VAC, cos φ = 0.8, min. 30 x 10 ³ operations Overload: 37.5A, 250VAC, cos φ = 0.8, min. 50 operations	
Insulation	Contact gap (initial)	Min. 1.5mm	
	Resistance	Min. 1,000MΩ at 500VDC	
	Dielectric strength	Open contacts	2,500VAC, 1min
		Contacts to coil	4,000VAC, 1min
	Surge strength	Contact to col	8,500V / 1.2 x 50μs standard wave
Clearance / creepage		Min. 6.4mm / min. 9.5mm	
Others	Vibration resistance	Misoperation	10 to 55 to 10Hz single amplitude 0.75mm
		Endurance	10 to 55 to 10Hz single amplitude 0.75mm
	Shock	Misoperation	Min. 200m/s ² (11 ± 1ms)
		Endurance	Min. 1,000m/s ² (6 ± 1ms)
	Weight		Approximately 25g

*1 Minimum switching loads mentioned above are reference values. Please perform the confirmation test with actual load before production since reference values may vary according to switching frequencies, environmental conditions and expected reliability levels.

*2 Reduction of minimum coil holding voltage to maximum coil voltage range, after 100msec energizing with nominal coil voltage.

! Care shall be taken on the heat generated on PC board when maximum carrying current exceeds 10A. Please perform the confirmation test with actual conditions.

FTR-K3-WG Series

■ COIL DATA

Coil Code	Rated Coil Voltage (VDC)	Coil Resistance $\pm 10\%$ (Ω)	Must Operate Voltage ^{*1} (VDC)	Must Release Voltage ^{*1} (VDC)	Min. Non Release Voltage ^{*1} (VDC)	Rated Power $\pm 10\%$ (mW)
005	5	32	3.5	0.5	1.75	Approx. 780 (96) ^{*2}
006	6	46	4.2	0.6	2.1	
009	9	105	6.3	0.9	3.15	
012	12	185	8.4	1.2	4.2	
018	18	415	12.6	1.8	6.3	
024	24	740	16.8	2.4	8.4	
048	48	2,955	33.6	4.8	16.8	

Note: All values in the table are valid for 20°C and zero contact current. or mis-operation may occur.

*1: Specified operate values are valid for pulse wave voltage.

*2: This value is the coil power at 35% of nominal voltage at 20°C.

I Please use at rated coil voltage. Please refer to characteristic data and set up adequate voltage in case of use at over voltage.

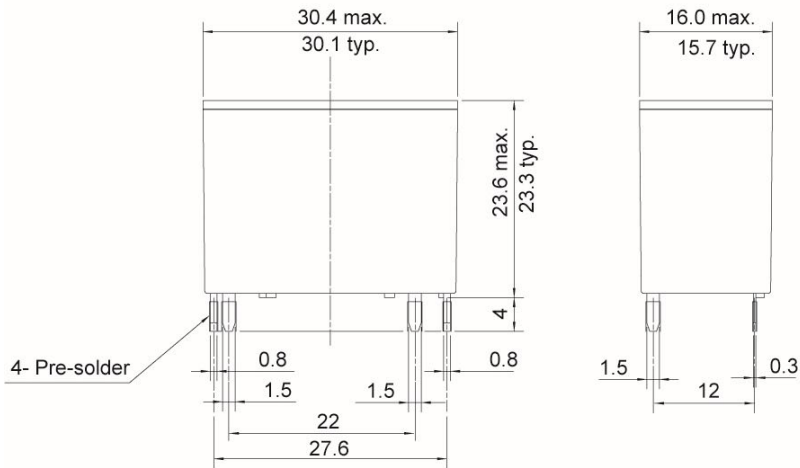
■ SAFETY STANDARDS

Type	Compliance	Contact rating
UL	UL 508 CSA 22.2 No.14 (cULus) E63614	Flammability: UL 94 V0 (plastics)
		25A, 277VAC (General Use, at 85°C) 1HP, 125VAC (at 60°C) 2HP, 277VAC, 100x10 ³ (at 60°C)
VDE	IEC/EN61810-1	25A, 250VAC (cos $\varphi = 1$, at 85°C)
CQC	GB15092.1 GB/T21711.1 17002165723	25A, 250VAC

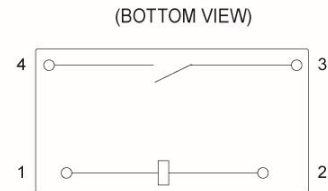
FTR-K3-WG Series

■ DIMENSIONS

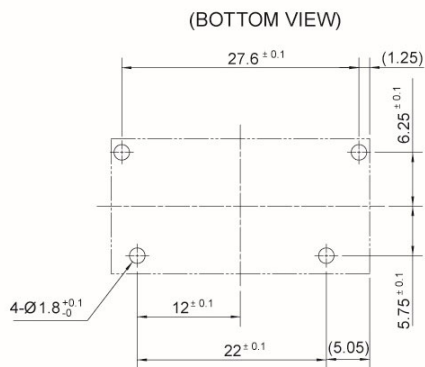
● Dimensions



● Schematics



● PC board mounting hole layout



- Dimensions of the terminals do not include thickness of pre-solder.
- Tolerance of PC board mounting hole layout : ± 0.1 unless otherwise specified.

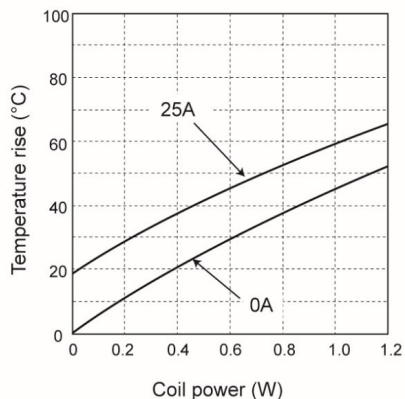
Unit; mm
(): Reference

FTR-K3-WG Series

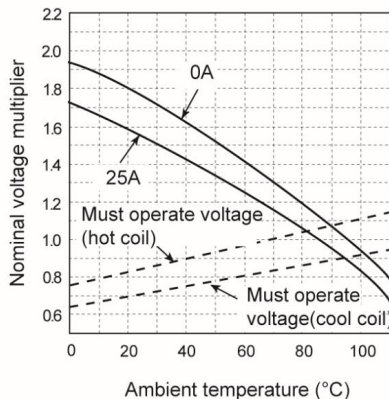
■ CHARACTERISTIC DATA

(Characteristic data is not guaranteed value but measured values of samples from production line.)

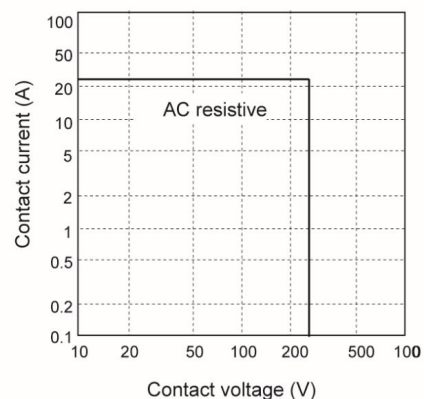
Coil temperature rise



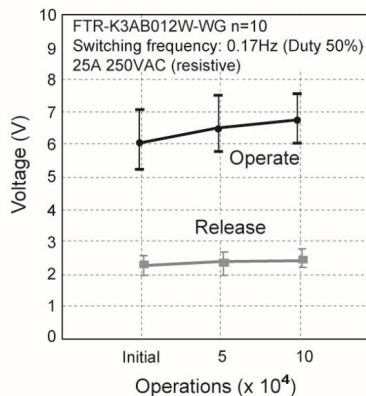
Operating range



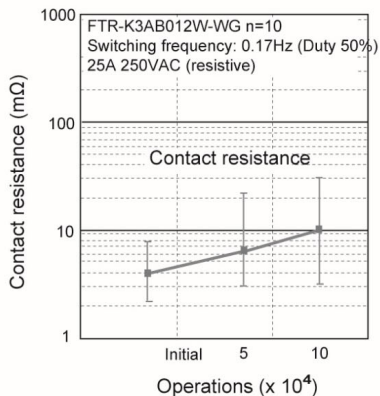
Maximum switching power



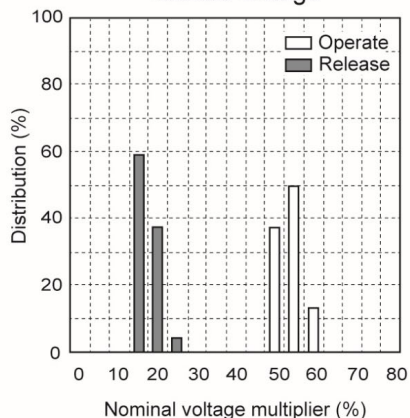
Electrical life test (resistive load)
Operate/release voltage



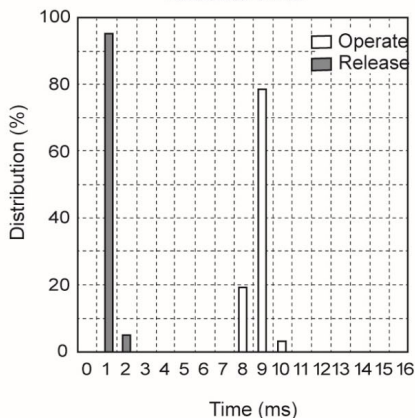
Electrical life test (resistive load)
Contact resistance



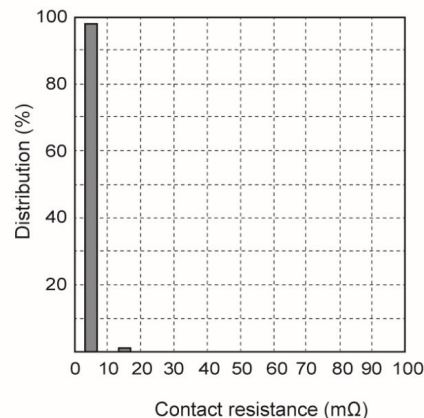
Distribution of operate/
release voltage



Distribution of operate/
release time



Distribution of contact resistance



FTR-K3-WG Series

CAUTIONS

- All values mentioned in this datasheet are provided under ideal conditions. Please perform the confirmation test before actual use.
- Reflow soldering is prohibited.
- Do not use relays in the atmosphere with sulfide gas, chloride gas or nitric oxide. Contact resistance may increase.
- Do not use silicon or silicon-containing product or materials near relays. It may cause contact failure.

GENERAL INFORMATION

1. RoHS Compliance

- All relays produced by FCL Components are compliant with RoHS directive 2011/65/EU, including commission delegated directive 2015/863.

2. Recommended lead free solder condition

- Lead free solder plating on relay terminals is Sn-3.0Ag-0.5Cu, unless otherwise specified. This material has been verified to be compatible with PbSn assembly process.
- Recommended solder for assembly: Sn-3.0Ag-0.5Cu.

Flow Solder Condition:

Pre-Heating: Maximum 120°C within 90 sec.

Soldering: Dip within 5 sec. at 255°C±5°C solder bath

Relay must be cooled by air immediately after soldering

Solder by Soldering Iron:

Soldering Iron: 30-60W

Temperature: Maximum 350-360°C

Duration: Maximum 3 sec.

We highly recommend that you confirm your actual solder conditions

3. Moisture Sensitivity

- Moisture Sensitivity Level standard is not applicable to electromechanical relays, unless otherwise indicated.

4. Tin Whiskers

- Dipped SnAgCu solder is known as presenting a low risk to tin whisker development. No considerable length whisker was found by our in house test.

Contact

Japan

FCL COMPONENTS LIMITED
Shinagawa Seaside Park Tower
12-4, Higashi-shinagawa 4-chome,
Tokyo 140 0002, Japan
Tel: +81-3-3450-1682
Email: fcl-contact@cs.fcl-components.com

North and South America

FCL COMPONENTS AMERICA, INC.
2055 Gateway Place Suite 480,
San Jose, CA 95110 USA
Tel: +1-408-745-4900
Email: fcai.components@fcl-components.com

Europe

FCL COMPONENTS EUROPE B.V.
Diamantlaan 25
2132 WV Hoofddorp, Netherlands
Tel: +31-23-556-0910
Email: info.fceu@cs.fcl-components.com

Asia Pacific

FCL COMPONENTS ASIA PTE LTD.
No. 20 Harbour Drive, #07-01B
Singapore 117612
Tel: +65-6375-8560
Email: fcal@fcl-components.com

China

FCL COMPONENTS (SHANGHAI) CO., LTD.
Unit 1105, Central Park - Jing An,
No.329 Heng Feng Road, Shanghai 200070,
China
Tel: +86-21-3253 0998
Email: fcsh@fcl-components.com

Web: www.fcl-components.com/en/

© 2024 FCL Components Limited. All rights reserved. All trademarks or registered trademarks are the property of their respective owners.

FCL Products are intended for general use, including without limitation, in personal, household and office environments, in buildings and for ordinary use in the industry. FCL Products are not intended to be used in applications where extremely high safety is required ("High Safety Required Applications"), such as, but not limited to, applications in nuclear facilities, in aircraft automatic flight control, in air traffic control, in mass transit system control, in missile launch system, in weapon systems, in medical equipment for life support or any application involving a direct serious risk of physical injury or death.

Please do not use FCL Products without securing the sufficient safety and reliability required for the High Safety Required Applications. In addition, FCL shall not be liable against the customer and/or any third party for any claims or damages arising in connection with the use of FCL Products in the High Safety Required Applications.

FCL warrants that its Products, if properly used and services, will conform to their specification and will be free from defects in material and workmanship for twelve months from delivery.

The implied warranties of merchantability and fitness for a particular purpose and all other warranties, representations and conditions, express or implied by statute, trade usage or otherwise, except as set forth in this warranty, are excluded and shall not apply to the Products delivered.

The contents, data and information in this datasheet are provided by FCL Components Limited as a service only to its user and only for general information purposes. The use of the contents, data and information provided in this datasheet is at the users' own risk.

FCL has assembled this datasheet with care and will endeavor to keep the contents, data and information correct, accurate, comprehensive, complete and up to date.

FCL Components Limited and affiliated companies do however not accept any responsibility or liability on their behalf, nor on behalf of its employees, for any loss or damage, direct, indirect or consequential, with respect to this datasheet, its contents, data, and information and related graphics and the correctness, reliability, accuracy, comprehensiveness, usefulness, availability and completeness thereof.

Nor do FCL Components Limited and affiliated companies accept on their behalf, nor on behalf of its employees, any responsibility or liability with respect to these datasheets, its contents, data, information and related graphics and the correctness, reliability, accuracy, comprehensiveness, usefulness, availability and completeness thereof. Rev. February 1, 2024.
