

# AUTOMOTIVE RELAY

## 1 POLE – 50A

### FBR53-HC Series

#### ■ FEATURES

- 1 pole 50A, 1U contact ultra compact relay
- Maximum inrush current 200A
- Maximum carrying current 67.5A (at 20°C, 1 hour)
- High temperature grade (-40°C to +125°C)
- Low coil power approx. 0.64W
- This relay is able to replace the Mini ISO relay
- Reflow capable (through hole reflow) type available
- Plastic sealed



#### ■ APPLICATIONS

Electric power steering, blower fan motor control, starter

#### ■ PARTNUMBER INFORMATION

[Example]  $\frac{\text{FBR53}}{\text{(a)}} \frac{\text{N}}{\text{(b)}} \frac{\text{D12}}{\text{(c)}} \frac{\text{-Y}}{\text{(d)}} \frac{\text{-HC}}{\text{(e)}} \frac{\text{-RW}}{\text{(f)}}$

(a)	Relay type	FBR53	: FBR53 Series
(b)	Enclosure	N	: Plastic sealed type
(c)	Coil rated voltage	D12	: 12VDC
(d)	Contact material	Y	: Silver tin oxide
(e)	Contact rating	HC	: 50A
(f)	Soldering	Nil RW	: Standard (Flow soldering) : Reflow capable (THR)

Note: Actual marking does not carry the type name "FBR"  
E.g.: Ordering code: FBR52ND012Y-HC, actual marking: 53ND012-Y-HC

# FBR53-HC Series

## ■ SPECIFICATIONS

Item	Specification		Remarks	
Contact data	Configuration		1 form U	
	Material		Silver tin oxide	
	Construction		Single	
	Raging		50A 14VDC	Resistive
	Max. carrying current		67.5A 14VDC / 30min at 20°C 62.5A 14VDC / 30min at 85°C 58.5A 14VDC / 30min at 125°C 100A 14VDC / 1min at 20°C	
	Max. inrush current		200A	
	Min. switching load		1A 12VDC	Reference*1
	Voltage drop		Max. 100mV	At 1A 12VDC
Coil	Rated power consumption		640mW	At rated coil voltage, at 20°C
	Operate coil power		237mW	At operate voltage, at 20°C
	Operating temperature range		-40°C to +125°C*2	
Time	Operate		Max. 10ms	At rated coil voltage, without bounce
	Release		Max. 5ms	At rated coil voltage, without bounce, without diode
Life	Mechanical		Min. 1 x 10 <sup>6</sup> operations	
	Electrical		Min. 100 x 10 <sup>3</sup> operations	14VDC, resistive load 50A
Insulation	Insulation resistance		Min. 100MΩ	At 500VDC initial
	Dielectric withstanding voltage	Open contacts	500VAC (50/60Hz), 1 minute	Initial
		Coil-contact	500VAC (50/60Hz), 1 minute	Initial
Others	Vibration resistance	Misoperation	10 to 200Hz, acceleration 44m/s <sup>2</sup> (4.5G) constant acceleration	Direction X, Y, Z, coil ON/OFF total 6 cycles
		Endurance	10 to 200Hz, acceleration 44m/s <sup>2</sup> (4.5G) constant acceleration	Direction X, Y, Z, coil OFF total 6 hours
	Shock resistance	Misoperation	100m/s <sup>2</sup> (11 ± 1ms)	Direction X, Y, Z, coil ON/OFF total 36 times
		Endurance	1,000m/s <sup>2</sup> (6 ± 1ms)	Direction X, Y, Z, coil OFF total 18 times
	Dimensions / weight		12.1 x 15.5 x 13.7 mm / Approx. 6g	

\*1: Minimum switching loads mentioned above are reference values. Please perform the confirmation test with actual load before production since reference values may vary according to switching frequencies, environmental conditions and expected reliability levels.

\*2: Relays shall be kept frost free.

**!** Care shall be taken on the heat generated on PC board when maximum carrying current exceed 10A.

# FBR53-HC Series

## ■ COIL DATA

Coil Code	Rated Coil Voltage (VDC)	Coil Resistance $\pm 10\%$ ( $\Omega$ )	Must Operate Voltage* (VDC)	Must Release Voltage* (VDC)	Rated Power (W)
D12	12	225	7.3 (at 20°C) 10.4 (at 125°C)	1.0 (at 20°C) 1.5 (at 125°C)	Approx. 0.64

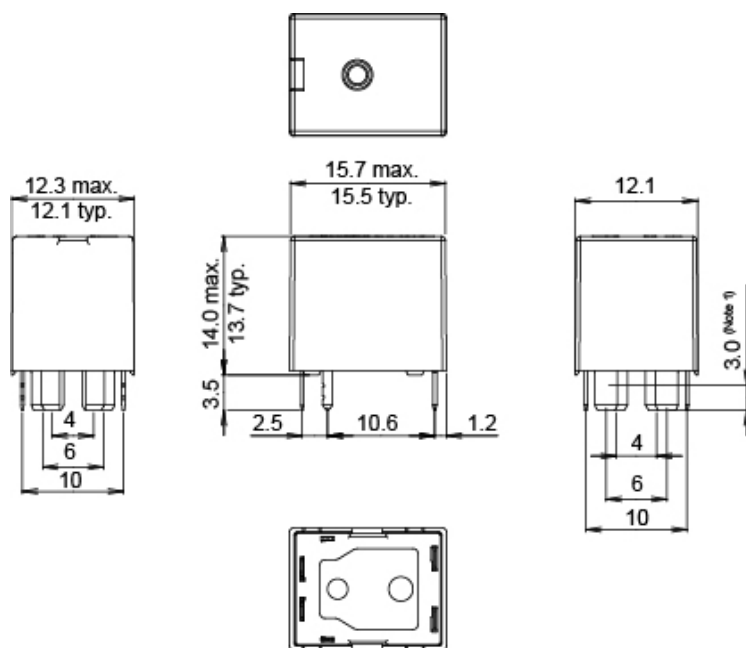
Note: All values in the table are valid for 20°C and zero contact current unless otherwise specified.

Note: Please use at rated coil voltage.

\*: Specified operated values are valid for pulse voltage.

## ■ DIMENSIONS

### ● Dimensions

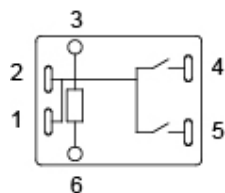


COM terminal: 2.2 x 0.26t  
N.O. terminal: 2.2 x 0.4t  
Coil terminal: 1.0 x 0.3t

Note 1: Avoid adhesion of sealing material from the terminals.  
Note 2: Do no bent terminals.

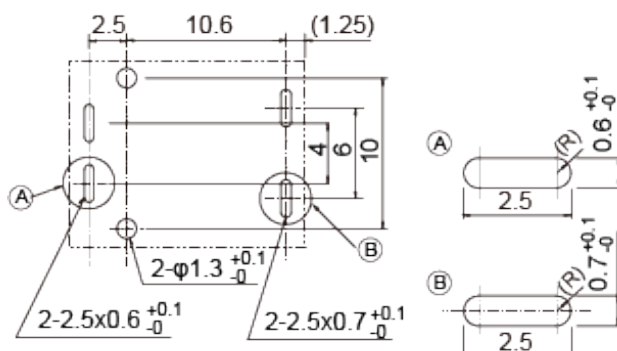
- Dimensions of the terminals do no include thickness of pre-solder.
- Dimensions do no include tolerances.

### ● Schematics (BOTTOM VIEW)



- Pattern shall be designed to short-circuit #4 and #5 on the PC board.

### ● PC Board Mounting Hole Layout (BOTTOM VIEW)



Unit: mm

# FBR53-HC Series

## CAUTIONS

- All values mentioned in this datasheet are provided under ideal conditions. Please perform the confirmation test before actual use.
- Reflow soldering is prohibited for flow soldering type.
- Do not use relays in the atmosphere with sulfide gas, chloride gas or nitric oxide. Contact resistance may increase.
- Do not use silicon or silicon-containing product or materials near relays. It may cause contact failure.

## GENERAL INFORMATION

### 1. ROHS Compliance

- All relays produced by FCL Components are compliant with RoHS directive 2011/65/EU, including commission delegated directive 2015/863.

### 2. Recommended lead free solder condition

- Lead free solder plating on relay terminals is Sn-3.0Ag-0.5Cu, unless otherwise specified. This material has been verified to be compatible with PbSn assembly process.
- Recommended solder for assembly: Sn-3.0Ag-0.5Cu.

#### Flow Solder Condition:

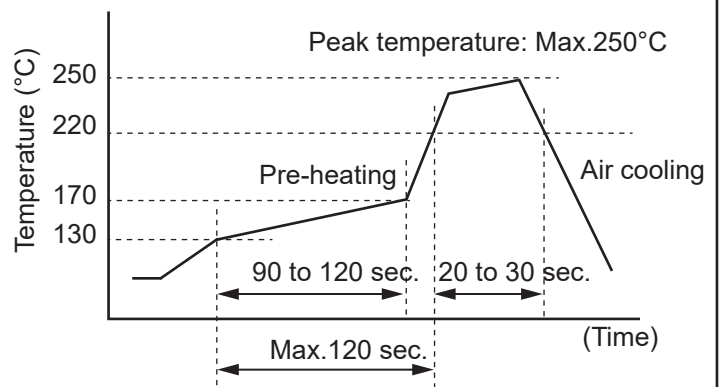
Pre-Heating: Maximum 120°C  
within 90 sec.  
Soldering: Dip within 5 sec. at 255°C±5°C  
solder bath  
Relay must be cooled by air immediately after  
soldering

#### Solder by Soldering Iron:

Soldering Iron: 30-60W  
Temperature: maximum 340-360°C  
Duration: maximum 3 sec.

#### Reflow Solder Condition:

(Applicable only for reflow capable type)  
Recommended reflow soldering profile  
IRS (infrared reflow soldering)



**We highly recommend that you confirm your actual solder conditions**

### 3. Moisture Sensitivity

- Moisture Sensitivity Level standard is not applicable to electromechanical relays, unless otherwise indicated.

### 4. Tin Whiskers

- Dipped SnAgCu solder is known as presenting a low risk to tin whisker development. No considerable length whisker was found by our in house test.

---

## Contact

### Japan

FCL COMPONENTS LIMITED  
Shinagawa Seaside Park Tower  
12-4, Higashi-shinagawa 4-chome,  
Tokyo 140 0002, Japan  
Tel: +81-3-3450-1682  
Email: fcl-contact@cs.fcl-components.com

### North and South America

FCL COMPONENTS AMERICA, INC.  
2055 Gateway Place Suite 480,  
San Jose, CA 95110 USA  
Tel: +1-408-745-4900  
Email: fcai.components@fcl-components.com

### Europe

FCL COMPONENTS EUROPE B.V.  
Diamantlaan 25  
2132 WV Hoofddorp, Netherlands  
Tel: +31-23-556-0910  
Email: info.fceu@cs.fcl-components.com

### Asia Pacific

FCL COMPONENTS ASIA PTE LTD.  
No. 20 Harbour Drive, #07-01B  
Singapore 117612  
Tel: +65-6375-8560  
Email: fcal@fcl-components.com

### China

FCL COMPONENTS (SHANGHAI) CO., LTD.  
Unit 1105, Central Park - Jing An,  
No.329 Heng Feng Road, Shanghai 200070,  
China  
Tel: +86-21-3253 0998  
Email: fcsh@fcl-components.com

**Web:** [www.fcl-components.com/en/](http://www.fcl-components.com/en/)

---

© 2024 FCL Components Limited. All rights reserved. All trademarks or registered trademarks are the property of their respective owners.

FCL Products are intended for general use, including without limitation, in personal, household and office environments, in buildings and for ordinary use in the industry. FCL Products are not intended to be used in applications where extremely high safety is required ("High Safety Required Applications"), such as, but not limited to, applications in nuclear facilities, in aircraft automatic flight control, in air traffic control, in mass transit system control, in missile launch system, in weapon systems, in medical equipment for life support or any application involving a direct serious risk of physical injury or death.

Please do not use FCL Products without securing the sufficient safety and reliability required for the High Safety Required Applications. In addition, FCL shall not be liable against the customer and/or any third party for any claims or damages arising in connection with the use of FCL Products in the High Safety Required Applications.

FCL warrants that its Products, if properly used and services, will conform to their specification and will be free from defects in material and workmanship for twelve months from delivery.

The implied warranties of merchantability and fitness for a particular purpose and all other warranties, representations and conditions, express or implied by statute, trade usage or otherwise, except as set forth in this warranty, are excluded and shall not apply to the Products delivered.

The contents, data and information in this datasheet are provided by FCL Components Limited as a service only to its user and only for general information purposes. The use of the contents, data and information provided in this datasheet is at the users' own risk.

FCL has assembled this datasheet with care and will endeavor to keep the contents, data and information correct, accurate, comprehensive, complete and up to date.

FCL Components Limited and affiliated companies do however not accept any responsibility or liability on their behalf, nor on behalf of its employees, for any loss or damage, direct, indirect or consequential, with respect to this datasheet, its contents, data, and information and related graphics and the correctness, reliability, accuracy, comprehensiveness, usefulness, availability and completeness thereof.

Nor do FCL Components Limited and affiliated companies accept on their behalf, nor on behalf of its employees, any responsibility or liability with respect to these datasheets, its contents, data, information and related graphics and the correctness, reliability, accuracy, comprehensiveness, usefulness, availability and completeness thereof. Rev. February 1, 2024.

---