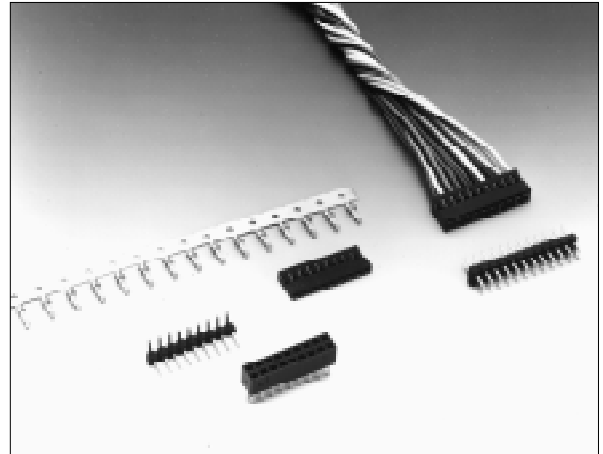


PC BOARD CONNECTORS

720M SERIES (CRIMP TYPE CONNECTORS)

■ FEATURES

- The 720 series connectors (crimp type connectors) are designed for a wide range of uses.
- 1-row and 2-row types are available to allow various types of mounting.
- DIP sockets allow board-to-board connections (for 18-pin type only).
- Contact pitch of 2×2 mm (0.079 \times 0.079 in.), mounting height of 3.8 mm (0.149 in.) for crimp type, and 6.6 mm (0.260 in.) for DIP type. A compact and low profile allows high density mounting.
- Multiple crimp sockets can be aligned in contact with each other to connect with one header on a PC board.
- Insulator material is UL approved (94V-0/94V-1).



■ SPECIFICATIONS

Item	Specification
Operating temperature range	-55°C to +85°C
Current rating	DC 3 A
Voltage rating	AC 250 V
Contact resistance	20 mΩ max. (DC 6 V, 0.1 A)
Insulation resistance	1000 MΩ max. (500 V)
Dielectric strength	AC 500 V for 1 minute
Applicable wire	AWG #26 to #34

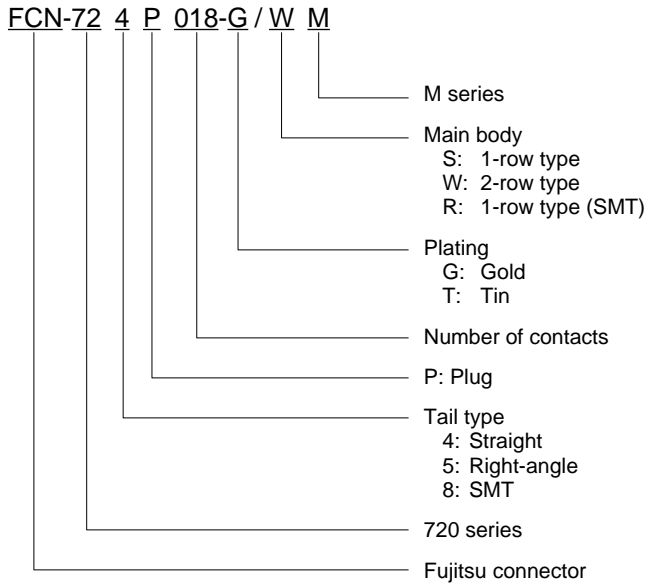
■ MATERIALS

Item	Materials	
Insulating material	Plug	Polyester (UL94V-0)
	Plug (SMT)	PPS
	Housing	PPO
Conductor	Copper alloy	
Plating	Contact	Gold
	Terminal	Palladium

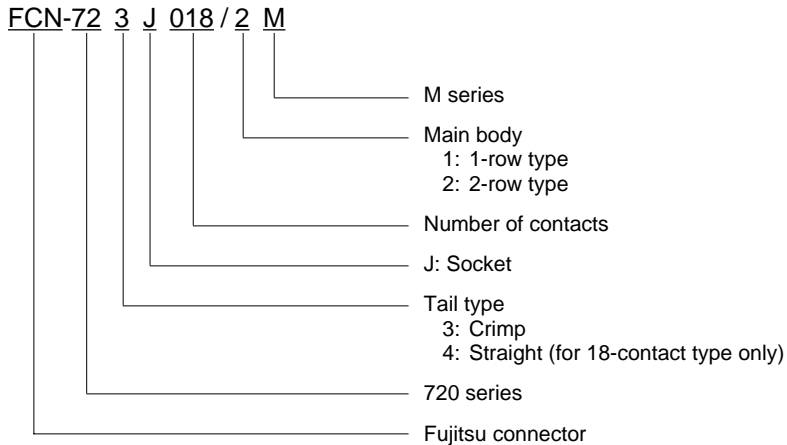
720M Series (Crimp Type Connectors)

■ ORDERING CODE

1. Plug

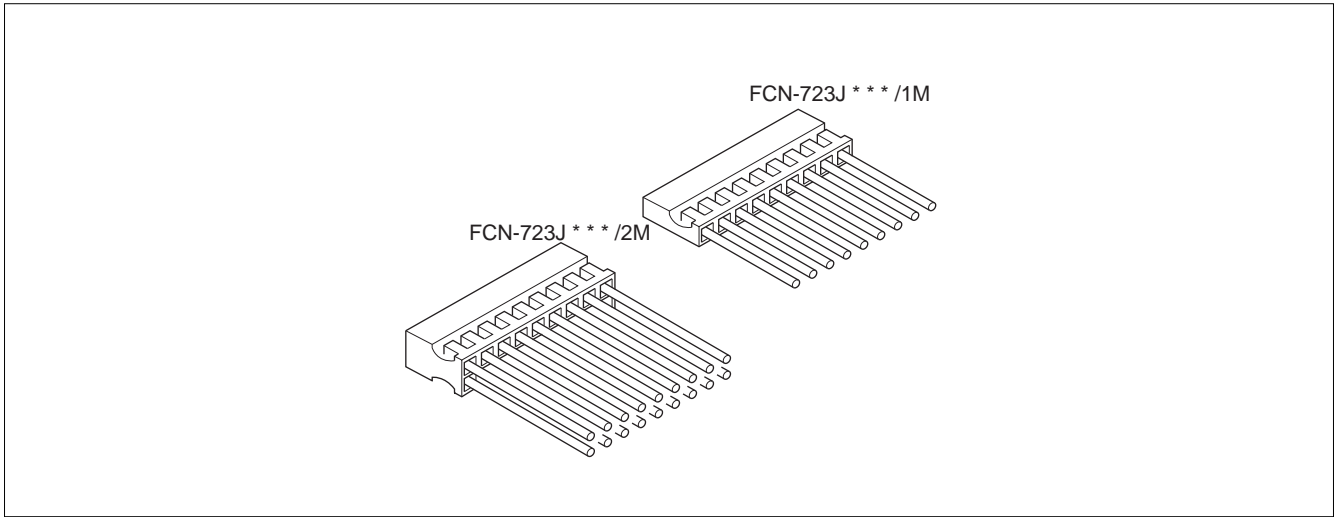


2. Housing



720M Series (Crimp Type Connectors)

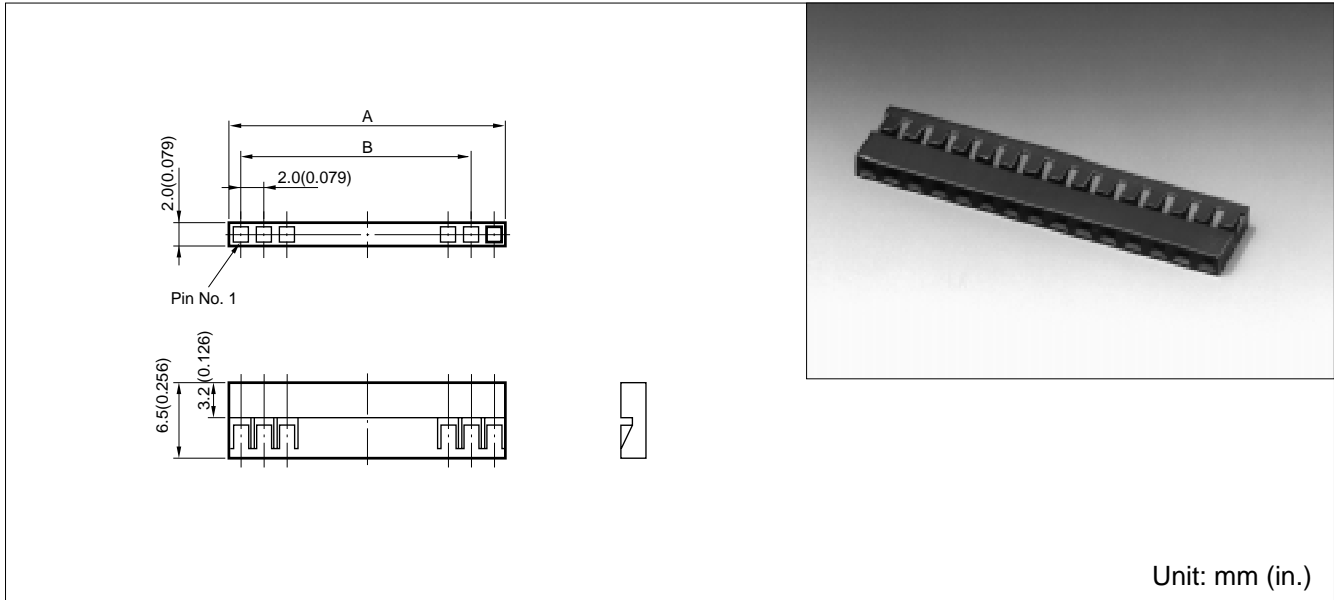
■ APPLICATION EXAMPLE



720M Series (Crimp Type Connectors)

HOUSING (1-ROW TYPE)

■ DIMENSIONS



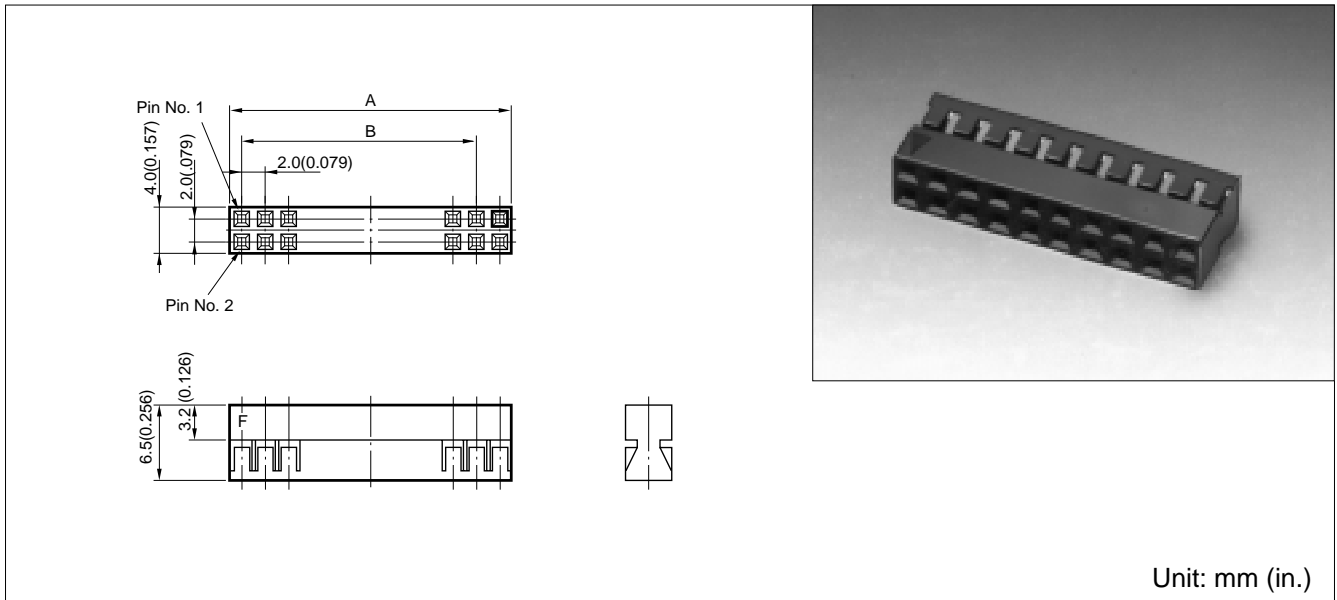
■ PART NUMBERS AND DIMENSIONS

Number of contacts	Part number	Dimensions: mm (in.)	
		A	B
2	FCN-723J002/1M	4.0 (0.157)	2.0 (0.079)
3	FCN-723J003/1M	6.0 (0.236)	4.0 (0.157)
4	FCN-723J004/1M	8.0 (0.315)	6.0 (0.236)
5	FCN-723J005/1M	10.0 (0.394)	8.0 (0.315)
6	FCN-723J006/1M	12.0 (0.472)	10.0 (0.394)
7	FCN-723J007/1M	14.0 (0.551)	12.0 (0.472)
8	FCN-723J008/1M	16.0 (0.630)	14.0 (0.551)
9	FCN-723J009/1M	18.0 (0.708)	16.0 (0.630)
10	FCN-723J010/1M	20.0 (0.787)	18.0 (0.708)
11	FCN-723J011/1M	22.0 (0.866)	20.0 (0.787)
12	FCN-723J012/1M	24.0 (0.945)	22.0 (0.866)
13	FCN-723J013/1M	26.0 (1.023)	24.0 (0.945)
14	FCN-723J014/1M	28.0 (1.102)	26.0 (1.023)
15	FCN-723J015/1M	30.0 (1.181)	28.0 (1.102)
16	FCN-723J016/1M	32.0 (1.260)	30.0 (1.181)
17	FCN-723J017/1M	34.0 (1.339)	32.0 (1.260)
18	FCN-723J018/1M	36.0 (1.417)	34.0 (1.339)

720M Series (Crimp Type Connectors)

HOUSING (2-ROW TYPE)

■ DIMENSIONS



■ PART NUMBERS AND DIMENSIONS

Number of contacts	Part number	Dimensions: mm (in.)	
		A	B
4	FCN-723J004/2M	4.0 (0.157)	2.0 (0.079)
6	FCN-723J006/2M	6.0 (0.236)	4.0 (0.157)
8	FCN-723J008/2M	8.0 (0.315)	6.0 (0.236)
10	FCN-723J010/2M	10.0 (0.394)	8.0 (0.315)
12	FCN-723J012/2M	12.0 (0.472)	10.0 (0.394)
14	FCN-723J014/2M	14.0 (0.551)	12.0 (0.472)
16	FCN-723J016/2M	16.0 (0.630)	14.0 (0.551)
18	FCN-723J018/2M	18.0 (0.708)	16.0 (0.630)
20	FCN-723J020/2M	20.0 (0.787)	18.0 (0.708)
22	FCN-723J022/2M	22.0 (0.866)	20.0 (0.787)
24	FCN-723J024/2M	24.0 (0.945)	22.0 (0.866)
26	FCN-723J026/2M	26.0 (1.023)	24.0 (0.945)
28	FCN-723J028/2M	28.0 (1.102)	26.0 (1.023)
30	FCN-723J030/2M	30.0 (1.181)	28.0 (1.102)
32	FCN-723J032/2M	32.0 (1.260)	30.0 (1.181)
34	FCN-723J034/2M	34.0 (1.339)	32.0 (1.260)
36	FCN-723J036/2M	36.0 (1.417)	34.0 (1.339)

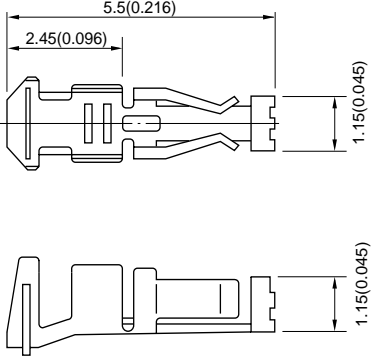
720M Series (Crimp Type Connectors)


CRIMP CONTACT

■ DIMENSIONS

1. Parts in bulk

Tool: Hand crimping tool



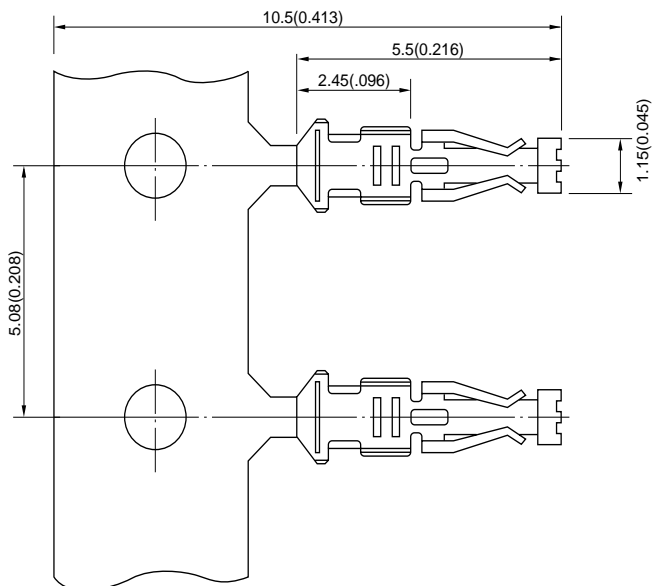


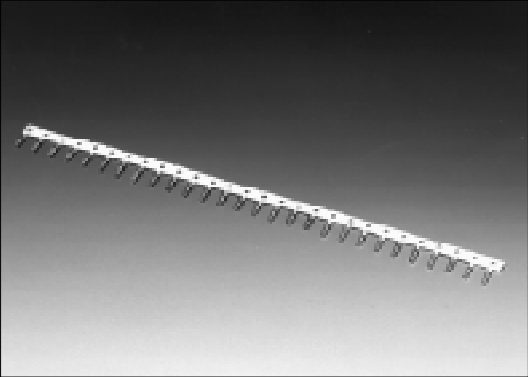
Applicable wire size (AWG#)	Applicable contact	
	Gold-plated	Tin-plated
#26	FCN-723J-G/AM	FCN-723J-T/AM
#28		
#30		
#32		
#34		

Unit: mm (in.)

2. Parts in strips

Tool: Semiautomatic crimping tool





Applicable wire size (AWG#)	Applicable contact	
	Gold-plated	Tin-plated
#26	FCN-723J-G/BM	FCN-723J-T/BM
#28		
#30		
#32		
#34		

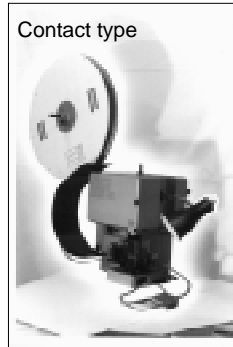
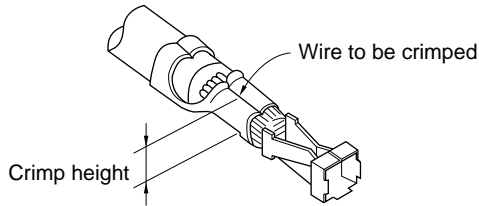
Unit: mm (in.)

720M Series (Crimp Type Connectors)

CRIMPING TOOLS

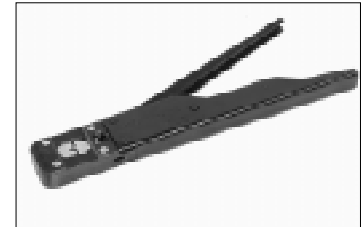
■ NOTES ON USING CRIMPING TOOLS

- Many crimping tools are available, but they are not compatible. Always use the crimping tools specified by Fujitsu.
- When using crimping tools, be sure to adjust the crimp height according to the table below. Otherwise, wire may be loose or break off.



Semiautomatic crimping tool

Stripped length (mm (in.))
1.2(0.047) to 1.6(0.063)



Hand crimping tool

■ HAND CRIMPING TOOL

Wire gauge (AWG#)	Wire cross-sectional area (mm (in.))	Crimp height (mm (in.))	Insulator diameter (mm (in.))	Hand crimping tool	Contact type		Stripped length (mm (in.))
					Gold-plated	Tin-plated	
#26	0.1 to 0.16 (0.0039 to 0.0063)	0.64 to 0.70 (0.025 to 0.027)	φ1.1 to φ1.4 (0.043 to 0.055)	FCN-723T-T021/H	FCN-723J-G/AM	FCN-723J-T/AM	1.2 to 1.6 (.047 to .063)
#28	0.065 to 0.096 (0.0025 to 0.0038)	0.60 to 0.66 (0.024 to 0.026)					
#30	0.05 to 0.06 (0.0019 to 0.0024)	0.62 to 0.68 (.0244 to .0268)					
#32	0.032 to 0.038 (0.0013 to 0.0015)	0.60 to 0.66 (0.024 to 0.026)	φ0.7 to φ1.0 (0.028 to 0.039)	FCN-723T-T022/H			
#34	0.02 to 0.023 (0.0008 to 0.0009)	0.58 to 0.64 (0.023 to 0.025)					

■ SEMIAUTOMATIC CRIMPING TOOL

Wire gauge (AWG#)	Wire cross-sectional area (mm (in.))	Crimp height (mm (in.))	Insulator diameter (mm (in.))	Semiautomatic crimping tool		Contact type		Stripped length (mm (in.))
				Press	Applicator	Gold-plated	Tin-plated	
#26	0.1 to 0.16 (0.0039 to 0.0063)	0.64 to 0.70 (0.025 to 0.027)	φ0.8 to φ1.4 (0.031 to 0.055)		FCN-A121	FCN-723J-G/BM	FCN-723J-T/BM	1.2 to 1.6 (.047 to .063)
#28	0.065 to 0.096 (0.0025 to 0.0038)	0.60 to 0.66 (0.024 to 0.026)						
#30	0.05 to 0.06 (0.0019 to 0.0024)	0.62 to 0.68 (.0244 to .0268)	φ0.5 to φ1.3 (0.020 to 0.051)	FCN-M100	FCN-A122			
#32	0.032 to 0.038 (0.0013 to 0.0015)	0.60 to 0.66 (0.024 to 0.026)						
#34	0.02 to 0.023 (0.0008 to 0.0009)	0.58 to 0.64 (0.023 to 0.025)						

Note: FCN-M100 conventional 3-ton press is also available. Contact us.

■ UNITS OF ORDERING PARTS IN STRIPS

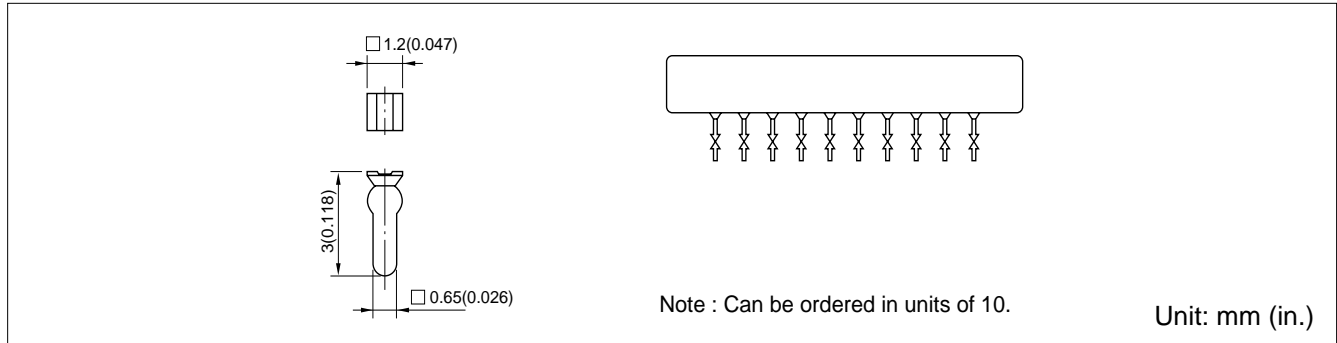
Part number	Units of order
FCN-723J-G/BM	10,000
FCN-723J-T/BM	10,000

720M Series (Crimp Type Connectors)

POLARIZING KEY

■ DIMENSIONS

Part number: FCN-720A01



■ SPECIFICATION OF POLARITY TO PREVENT INCORRECT INSERTION

	Plug	Socket
Polarization	Pull out a specified pin.	Plug a polarizing key into a specified position.
Specification	Specify a two-digit pin number with polarity at the end of the part number. Example: When specifying pin No. 4 FCN-725P018-G/WM#4	Specify a two-digit pin number with polarity at the end of the part number. Example: When specifying pin No. 4 FCN-723J018/2M#4

Fujitsu Components International Headquarter Offices

Japan

Fujitsu Component Limited
Gotanda-Chuo Building
3-5, Higashigotanda 2-chome, Shinagawa-ku
Tokyo 141, Japan
Tel: (81-3) 5449-7010
Fax: (81-3) 5449-2626
Email: promothq@ft.ed.fujitsu.com
Web: www.fcl.fujitsu.com

North and South America

Fujitsu Components America, Inc.
250 E. Caribbean Drive
Sunnyvale, CA 94089 U.S.A.
Tel: (1-408) 745-4900
Fax: (1-408) 745-4970
Email: marcom@fcai.fujitsu.com
Web: www.fcai.fujitsu.com

Europe

Fujitsu Components Europe B.V.
Diamantlaan 25
2132 WV Hoofddorp
Netherlands
Tel: (31-23) 5560910
Fax: (31-23) 5560950
Email: info.marketing@fceu.fujitsu.com
Web: www.fceu.fujitsu.com

Asia Pacific

Fujitsu Components Asia Ltd.
102E Pasir Panjang Road
#04-01 Citilink Warehouse Complex
Singapore 118529
Tel: (65) 375-8560
Fax: (65) 273-3021
Email: fcal@fcal.fujitsu.com
www.fcal.fujitsu.com

© 2001 Fujitsu Components America, Inc. All company and product names are trademarks or registered trademarks of their respective owners. Rev. 09/2001

720M Series (Crimp Type Connectors)

Fujitsu Components International Headquarter Offices

Japan

Fujitsu Component Limited
Gotanda-Chuo Building
3-5, Higashigotanda 2-chome, Shinagawa-ku
Tokyo 141-0022, Japan
Tel: (81-3) 5449-7010
Fax: (81-3) 5449-2626
Email: promothq@fcl.fujitsu.com
Web: www.fcl.fujitsu.com

North and South America

Fujitsu Components America, Inc.
250 E. Caribbean Drive
Sunnyvale, CA 94089 U.S.A.
Tel: (1-408) 745-4900
Fax: (1-408) 745-4970
Email: components@us.fujitsu.com
Web: <http://us.fujitsu.com/components>

Europe

Fujitsu Components Europe B.V.
Diamantlaan 25
2132 WV Hoofddorp
Netherlands
Tel: (31-23) 5560910
Fax: (31-23) 5560950
Email: info@fceu.fujitsu.com
Web: emea.fujitsu.com/components

Asia Pacific

Fujitsu Components Asia Ltd.
102E Pasir Panjang Road
#01-01 Citilink Warehouse Complex
Singapore 118529
Tel: (65) 6375-8560
Fax: (65) 6273-3021
Email: fcal@fcal.fujitsu.com
www.fcal.fujitsu.com

© 2007 Fujitsu Components America, Inc. All rights reserved. All trademarks or registered trademarks are the property of their respective owners. Fujitsu Components America, Inc. or its affiliates do not warrant that the content of the datasheet is error free. In a continuing effort to improve our products, Fujitsu Components America, Inc. or its affiliates reserve the right to change specifications/datasheets without prior notice. Rev. November 2, 2007.